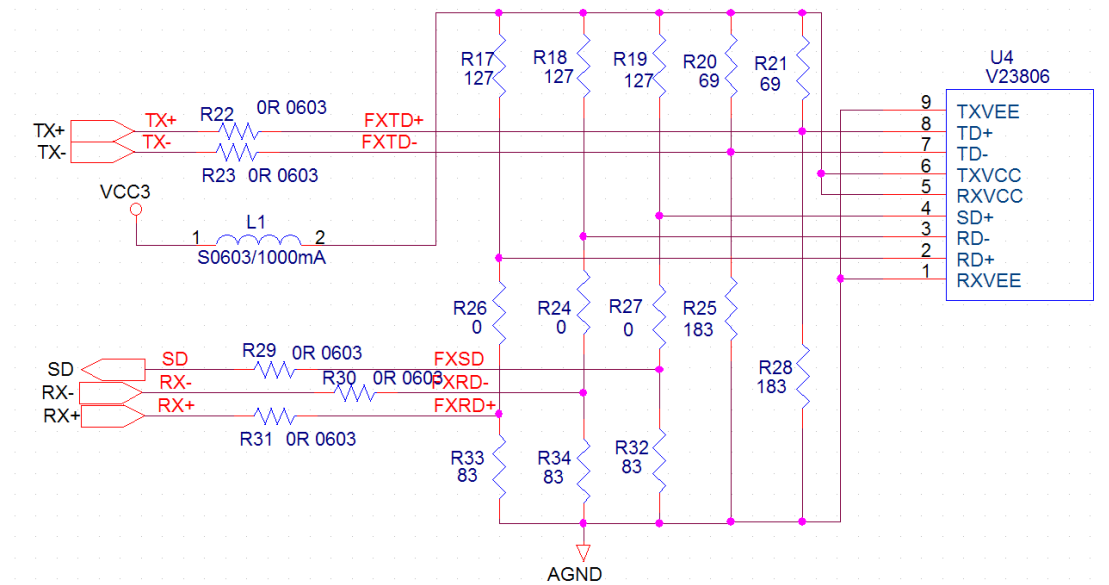


The steps fix DM9000A in fiber mode.

1. For 3.3V fiber module differential signal connection.



2. Register setting.

PHY register 10H bit 14 = 0

PHY register 10H bit 12 = 1

PHY register 10H bit 10 = 0

PHY register 14H bit 13 = 1

PHY register 14H bit 5 = 0

PHY register 14H bit 4 = 1