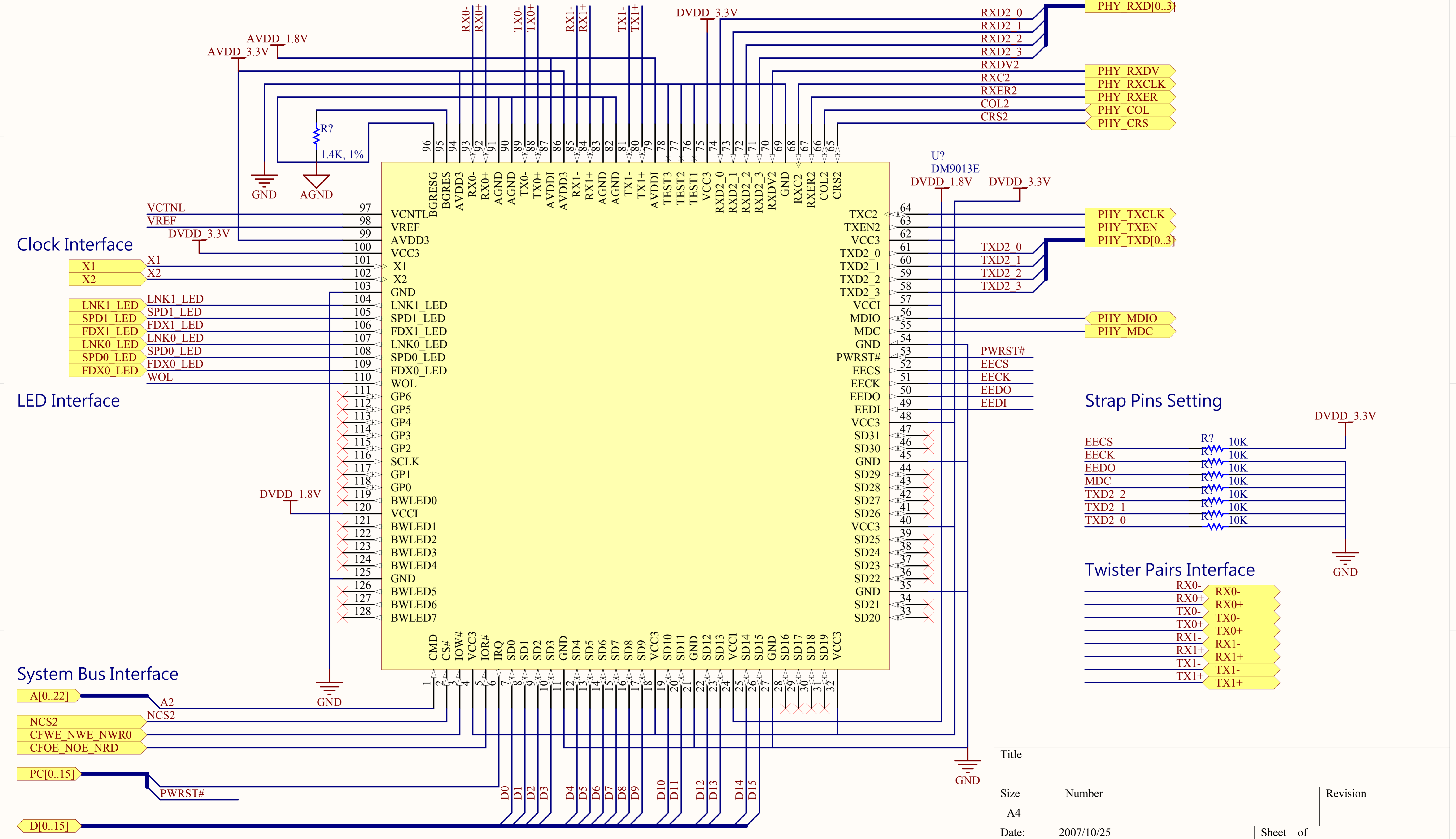
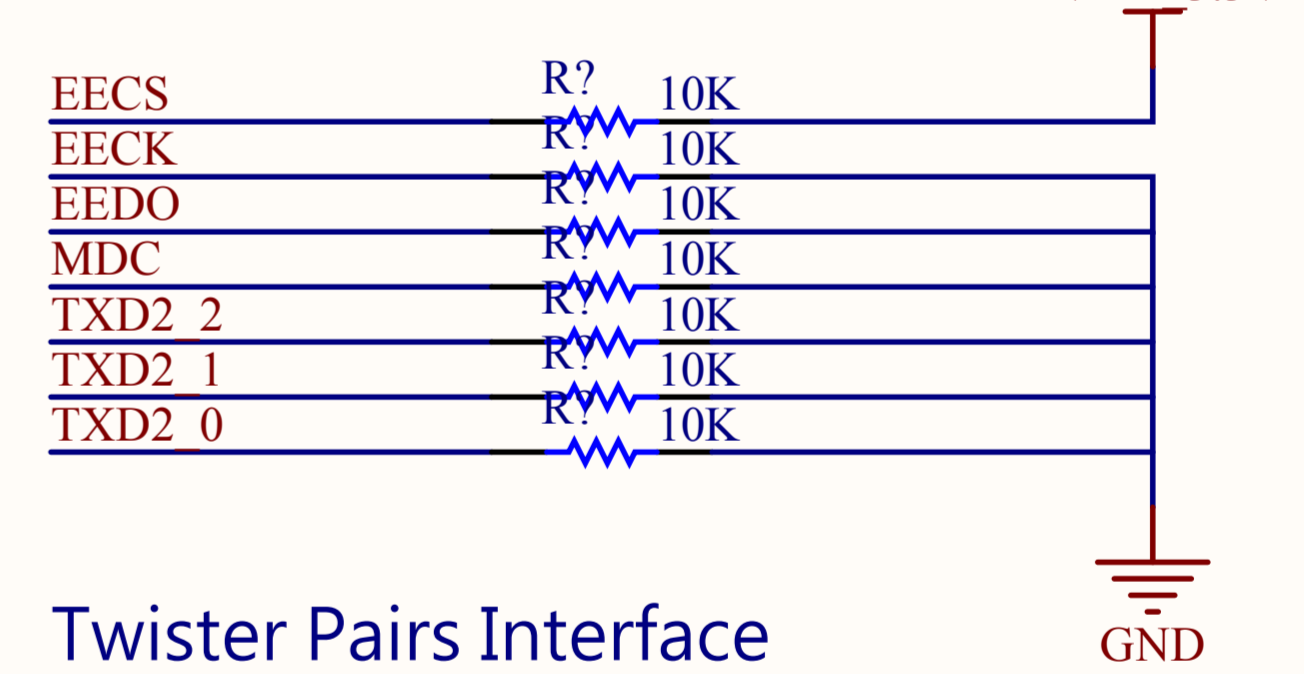


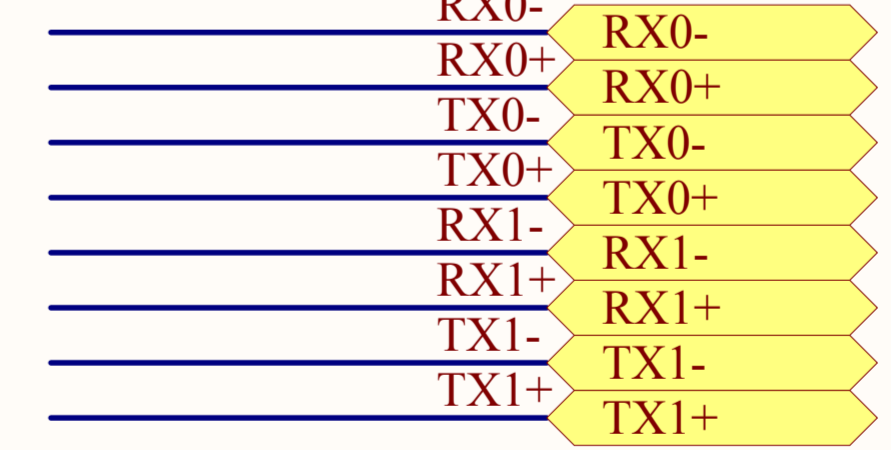
DM9161EP/AEP MII Interface



Strap Pins Setting

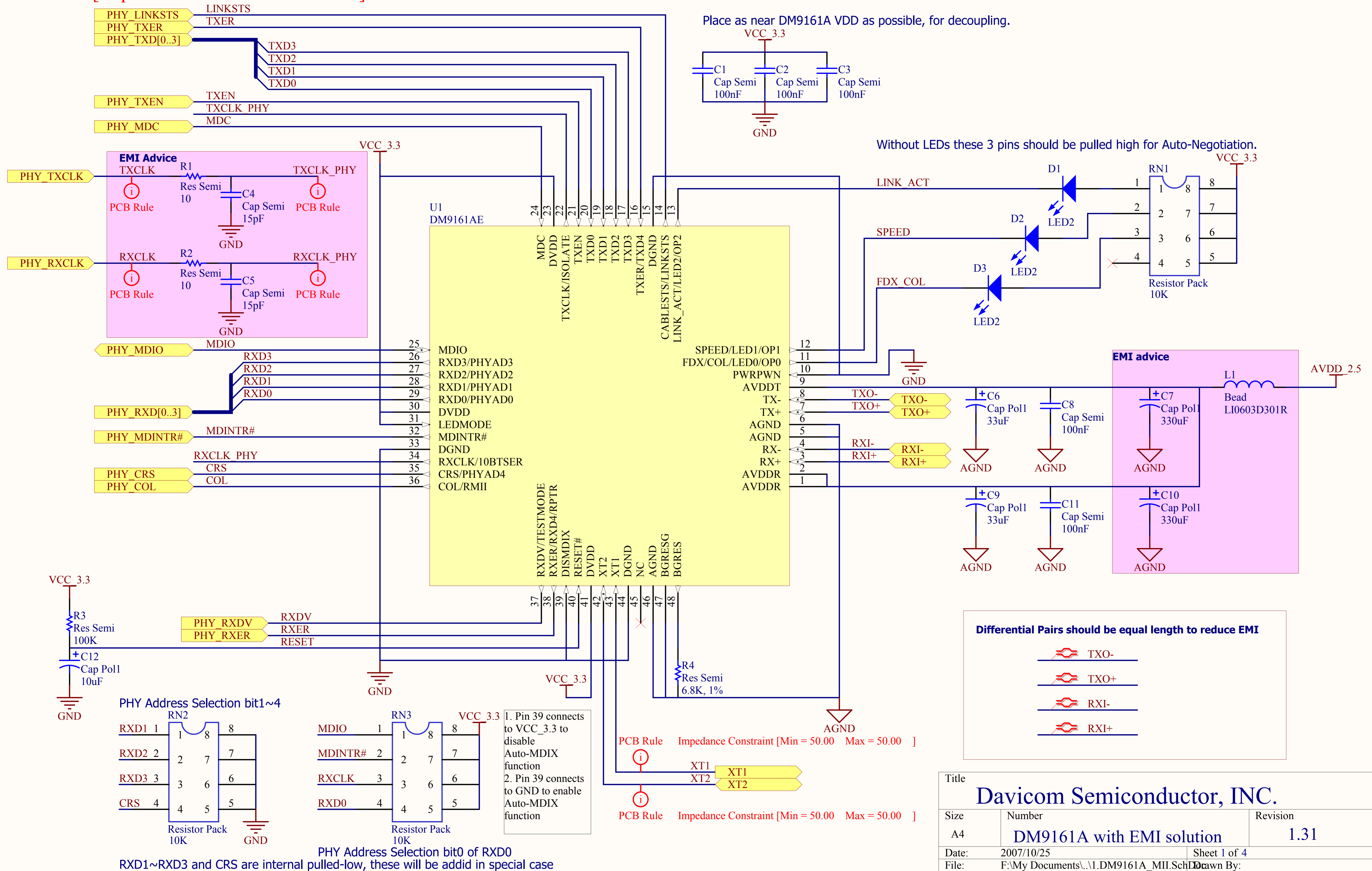


Twister Pairs Interface

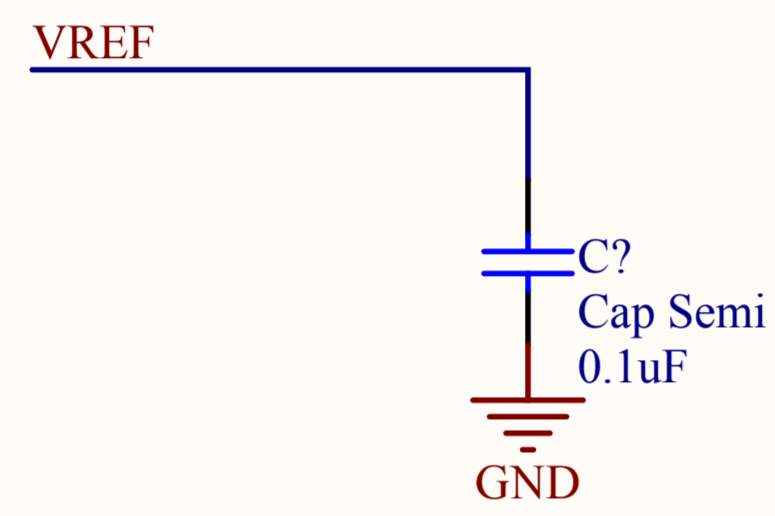
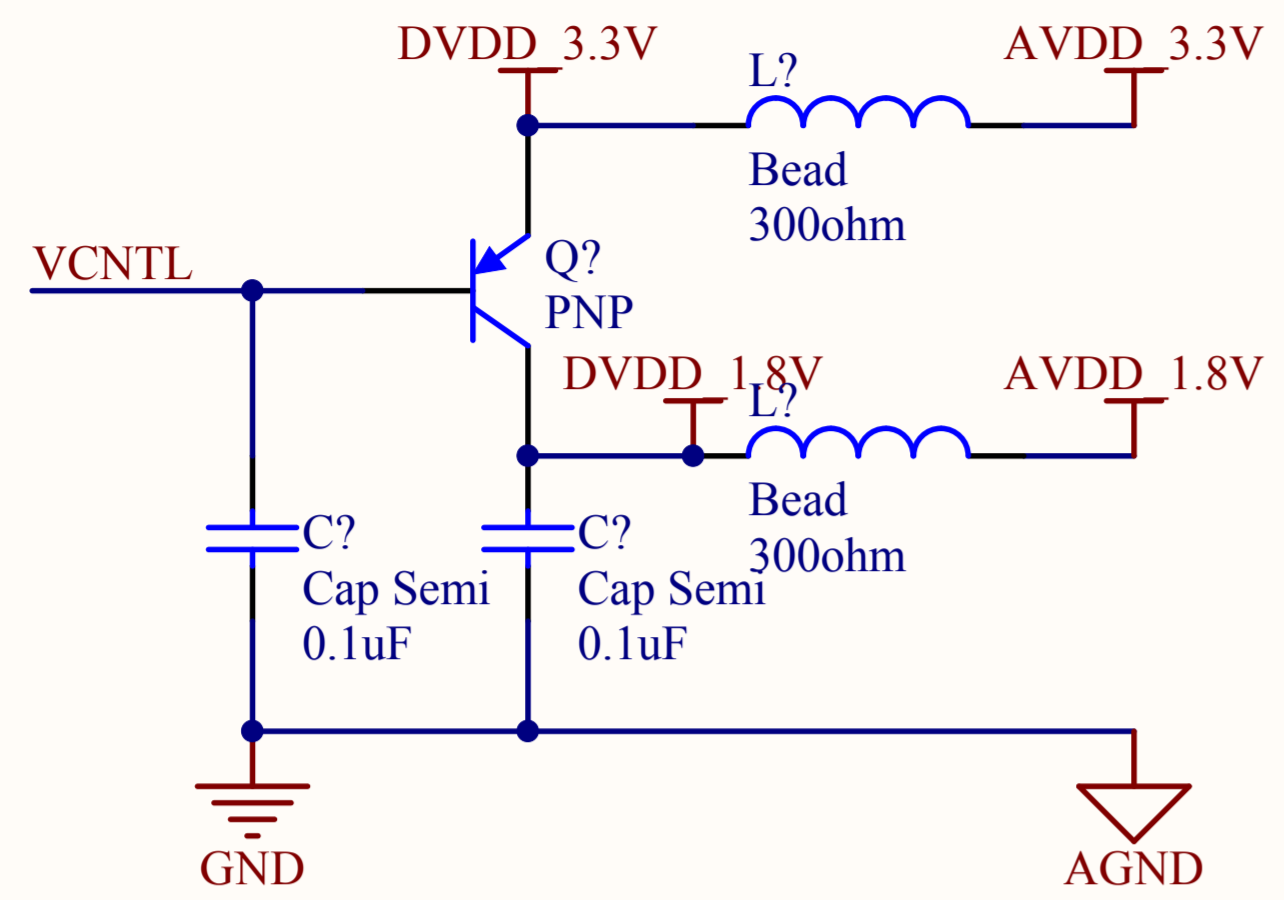


Title		
Size	Number	Revision
A4		
Date:	2007/10/25	Sheet of
File:	F:\My Documents\...\0.DM9013_Main.SchDoc	Drawn By:

PCB Rule [Impedance Constraint = 50 Ohm]



Title		
Davicom Semiconductor, INC.		
Size	Number	Revision
A4	DM9161A with EMI solution	1.31
Date:	2007/10/25	Sheet 1 of 4
File:	F:\My Documents\...\1.DM9161A_MII.SchDoc	



Title		
Size	Number	Revision
A4		
Date:	2007/10/25	Sheet of
File:	F:\My Documents\...\2.Power.SchDoc	Drawn By: