

Davicom New Products

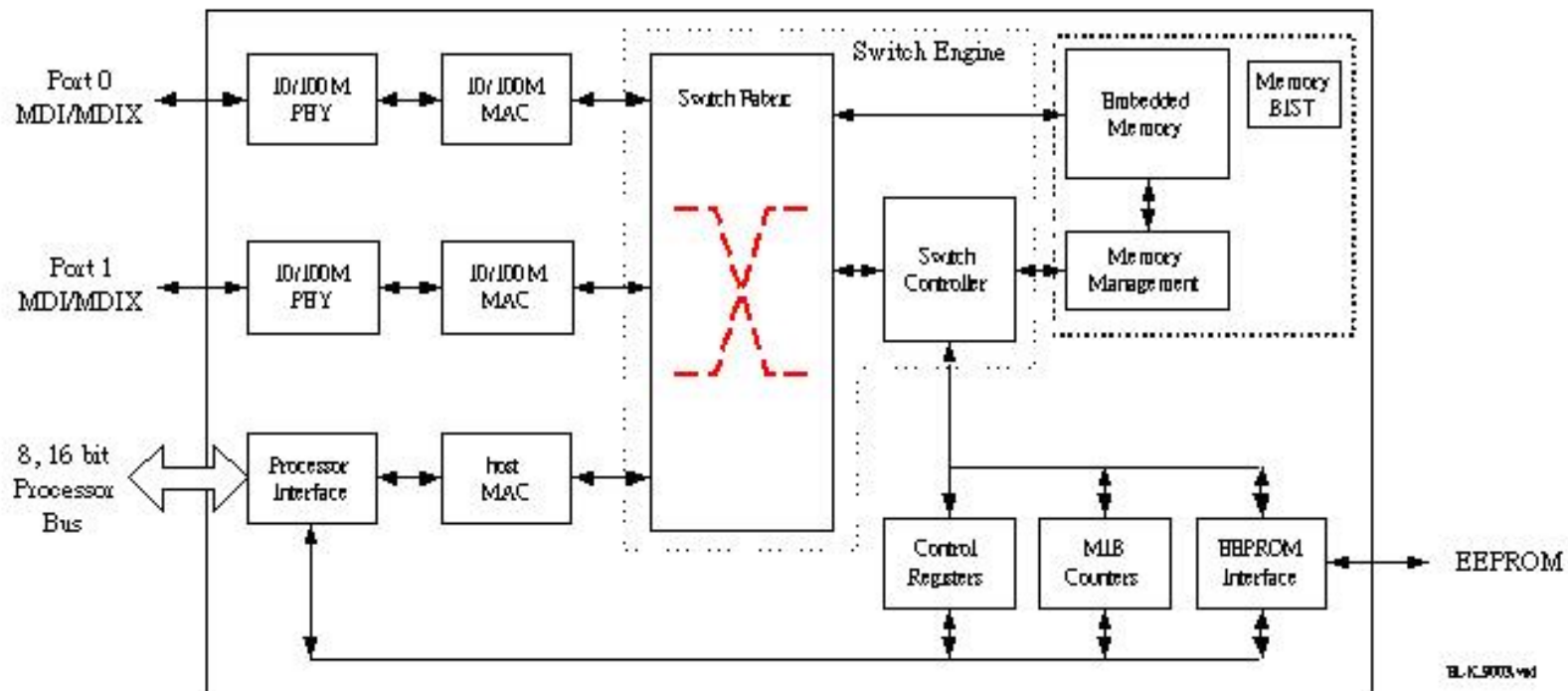
November/2006

Outline

- Block Diagram and Features.
- Application.
- Compare with competitors.
- Why Davicom?
- Development Tools.



DM9003 Block Diagram

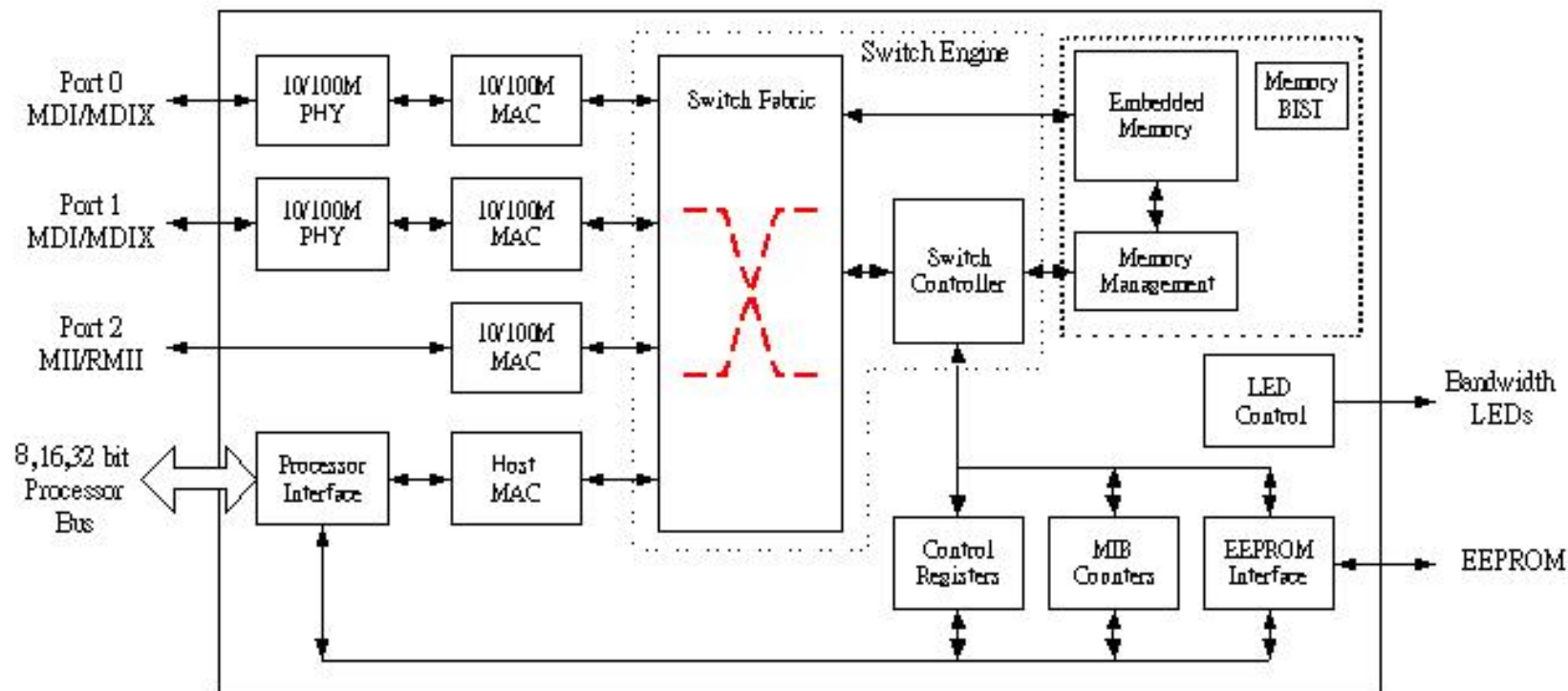


DM9003 Features

- **Ethernet Switch with two 10/100Mb PHY and 8/16 bit general processor bus interface**
- Per port support 4 priority queues by Port-based, 802.1P VLAN, and IP TOS priority.
- Support 802.1Q VLAN up-to 16 VLAN group.
- Support VLAN ID tag/untag options
- Per port support bandwidth, ingress and egress rate control.
- Support Broadcast Storming filter function
- Support Store and Forward switching approach
- Support IEEE 802.3x Flow Control in Full-duplex mode.
- Support Back Pressure Flow Control in Half-duplex mode.
- Recode up-to 1K Uni-cast MAC addresses
- Automatic aging scheme
- EEPROM interface for power up configurations
- Support MIB counters for diagnostic
- Processor bus slave architecture
- **Support TCP/UDP/IPv4 checksum offload**
- **Support HP Auto-MDIX**
- **64- pin LQFP 1.8V internal core, 3.3V I/O with 5V tolerant**



DM9013 Block Diagram

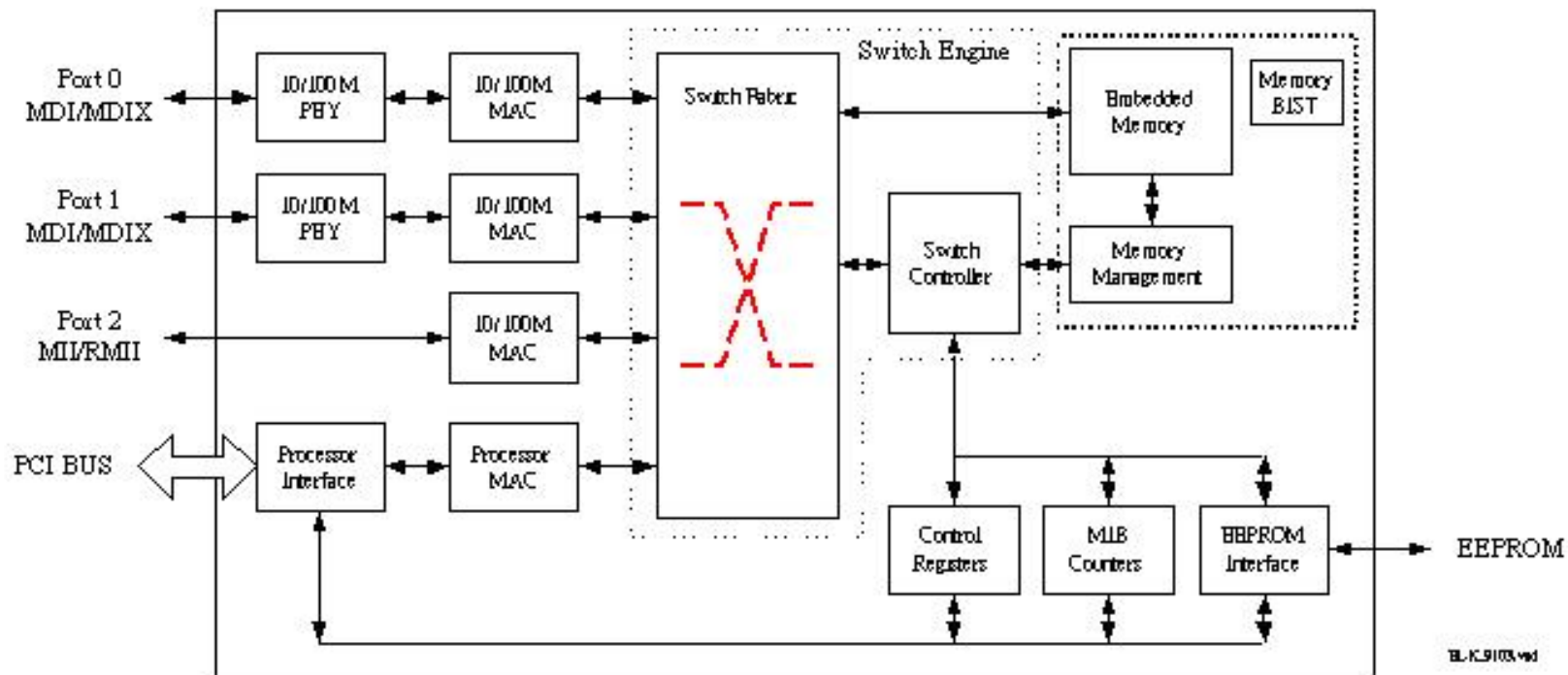


DM9013 Features

- Ethernet Switch with two 10/100Mb PHY, one MII/RMII, and 32-bit general processor bus interface
- Support Reverse-MII
- Processor bus slave architecture
- EEPROM interface for power up configurations
- Support TCP/UDP/IPv4 checksum offload
- Support HP Auto-MDIX
- Support IEEE 802.3x Flow Control in Full-duplex mode
- Support Back Pressure Flow Control in Half-duplex mode
- Per port support 4 priority queues by Port-based, 802.1P VLAN, and IP TOS priority
- Support 802.1Q VLAN up-to 16 VLAN group
- Support VLAN ID tag/untag options
- Per port support bandwidth, ingress and egress rate control
- Support Broadcast Storming filter function
- Support Store and Forward switching approach
- Support up-to 1K Uni-cast MAC addresses
- Automatic aging scheme
- Support MIB counters for diagnostic
- 128-pin LQFP 1.8V internal core, 3.3V I/O with 5V tolerant



DM9103 Block Diagram



DM9103 Features

- **Ethernet Switch with two 10/100Mb PHY, one MII/RMII, and PCI bus interface**
- Per port support 4 priority queues by Port-based, 802.1P VLAN, and IP TOS priority
- Support 802.1Q VLAN up-to 16 VLAN group
- Support VLAN ID tag/untag options
- Per port support bandwidth, ingress and egress rate control
- Support Broadcast Storming filter function
- Support Store and Forward switching approach
- Support IEEE 802.3x Flow Control in Full-duplex mode
- Support Back Pressure Flow Control in Half-duplex mode.
- Support up-to 1K Uni-cast MAC addresses
- Automatic aging scheme
- EEPROM interface for power up configurations
- Support MIB counters for diagnostic
- PCI bus master architecture
- **Support TCP/UDP/IPv4 checksum offload**
- **Support Reverse-MII**
- **Support HP Auto-MDIX**
- **128-pin LQFP 1.8V internal core, 3.3V I/O with 5V tolerant**



Application



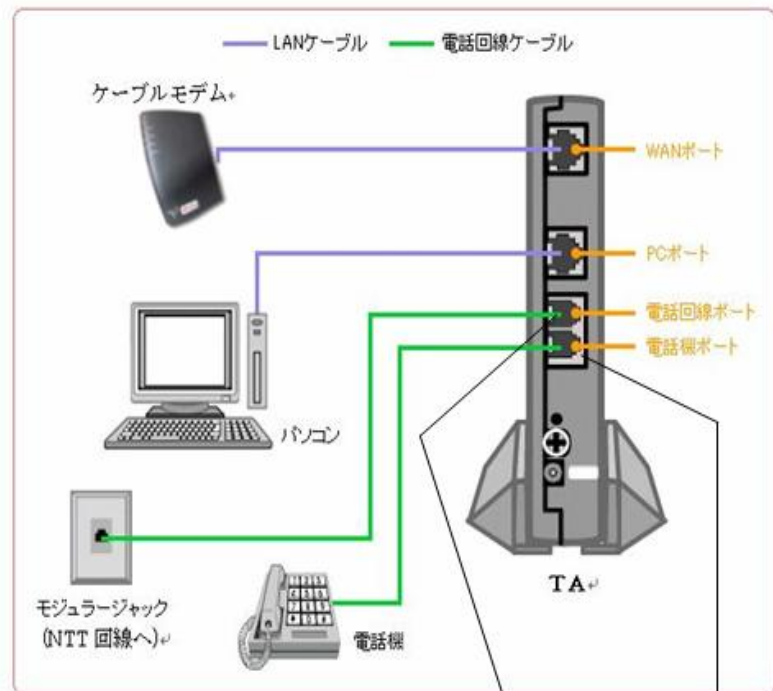
VoIP Phone



VoIP ATA



2 Ethernet port



LAN (PC)

FXS (Phone)

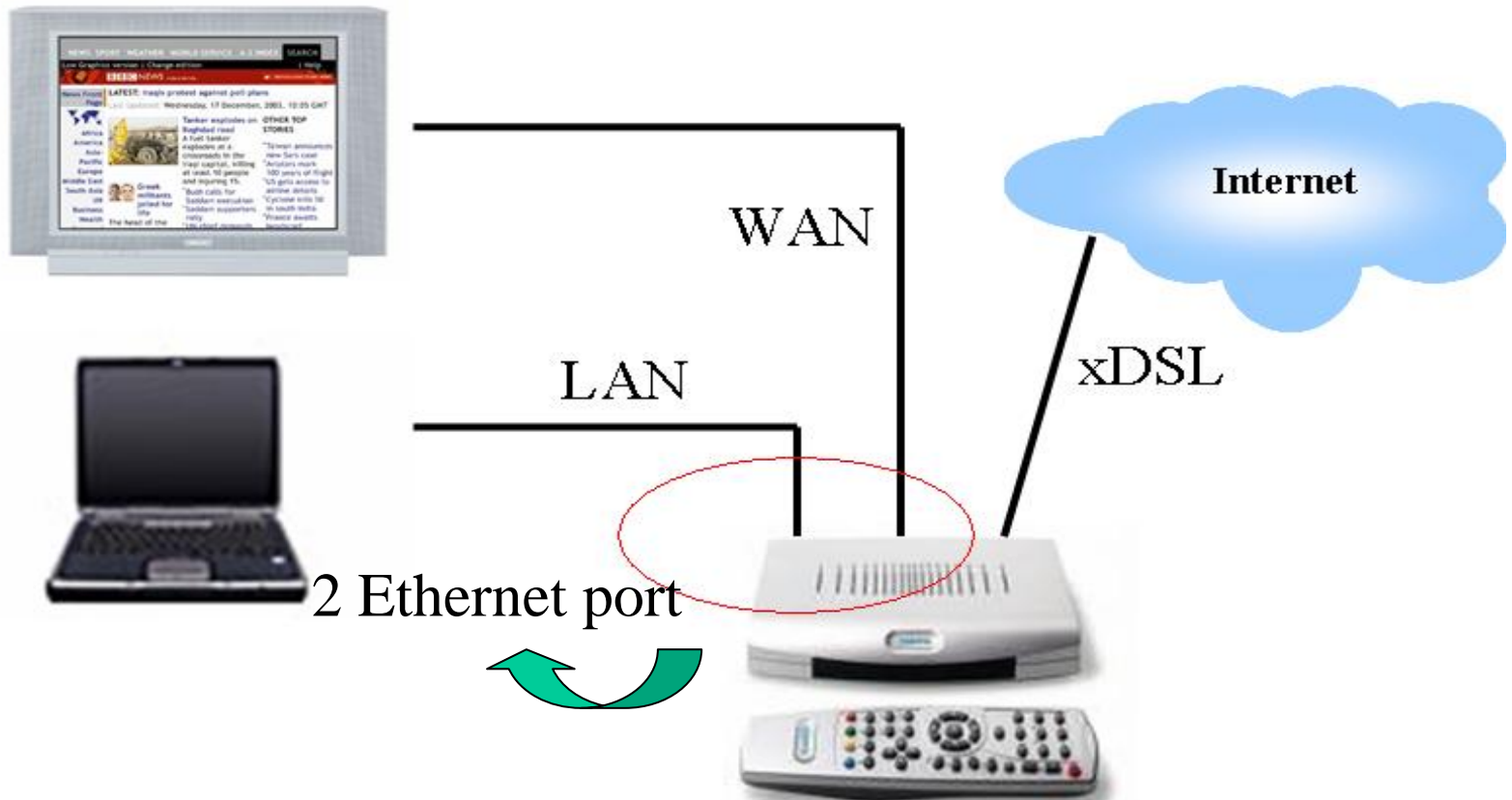
WAN (Internet)

FXO

FXS



IP STB/IPTV



Industrial Control



Compare with competitors

Brand	Part number	TCP/IP checksum offload	HP Auto-MDIX	PIN count
Davicom	DM9003	V	V	64 pin
Micrel	KS8842-16MQL		V	128 pin
Davicom	DM9013	V	V	128 pin
Micrel	KS8842-32MQL		V	128 pin
Davicom	DM9103	V	V	128 pin
Micrel	KSZ8842PMQL		V	128 pin



Why Davicom?

- Price competitively
- Customers base
- Financially strong
- Local service/strong technical support
- Customers base
 - HP, Dell, Epson, Hitachi, SAGEM, Mitac,, nVidia, ADB, Sercomm, Imrotek, MSI
- Focus in network technology



Development Tools

1. Working sample – Jan./07 Available
2. Evaluation Board – Jan./07 Available
3. Datasheet – Nov./06 Available
4. Reference circuit – Dec./06 Available
5. Drivers – Dec./06 Available
 - Linux, WinCE
6. Test programs – Dec./06 Available



Thank you

