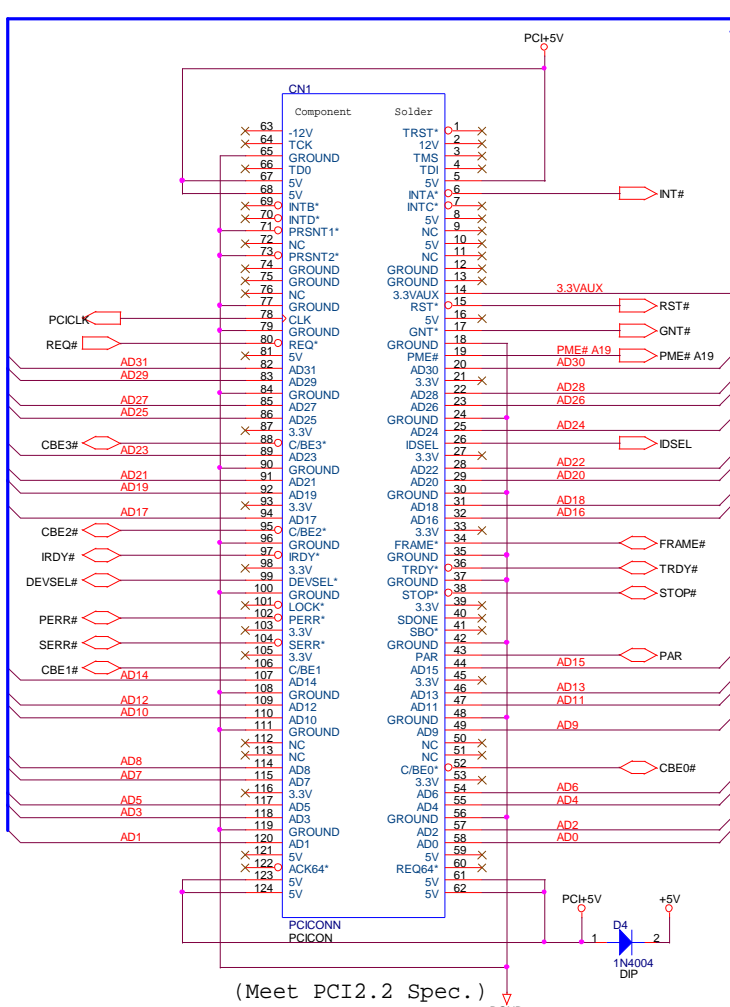
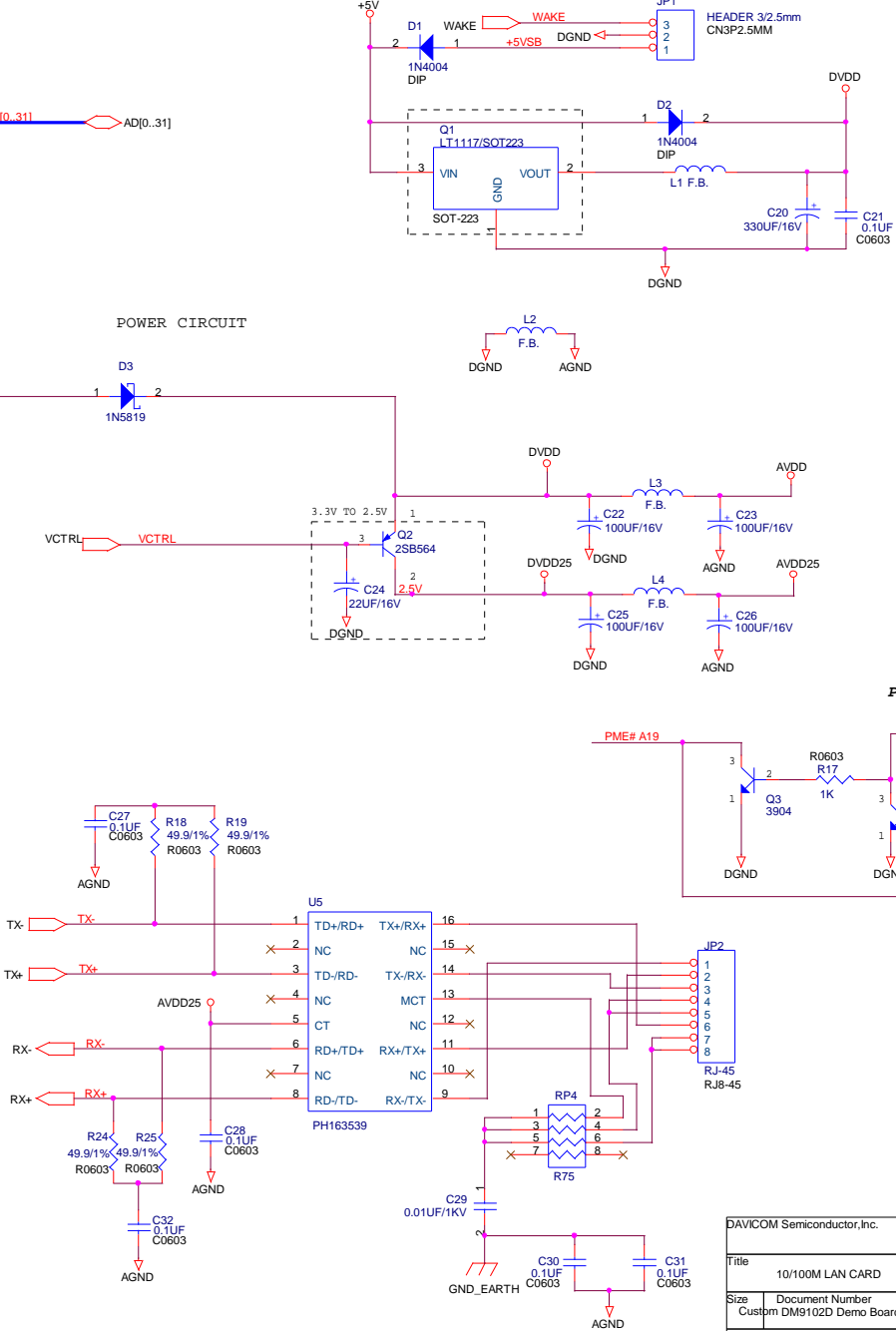


DAVICOM Semiconductor, Inc.		
Title 10/100M LAN CARD		
Size A3	Document Number DM9102D Demo Board	Rev 1.1
Date: Tuesday, December 07, 2004 Sheet 1 of 2		



(Meet PCI2.2 Spec.)

POWER CIRCUIT



PME Protect CIRCUIT

DAVICOM Semiconductor, Inc.		
Title: 10/100M LAN CARD		
Size: Custom	Document Number: DM9102D Demo Board	Rev: 1.1
Date: Tuesday, December 07, 2004	Sheet: 2 of 2	