



NO: RD-HA-SD003
 DATE: 2003/1/23 N (REV:0/2)

10/100 BASE TRANSFORMERS

MODEL NO : HA-003

Cross Reference No. Pulse H1102, HX1188 , INTEL 8559

FEATURE:

ENVIRONMENTAL: At 235°C IN 1 MINUTE

SPECIFICATIONS: AT 25°C

OCL : 350uH Min @ 100Khz, 100mV 8mA

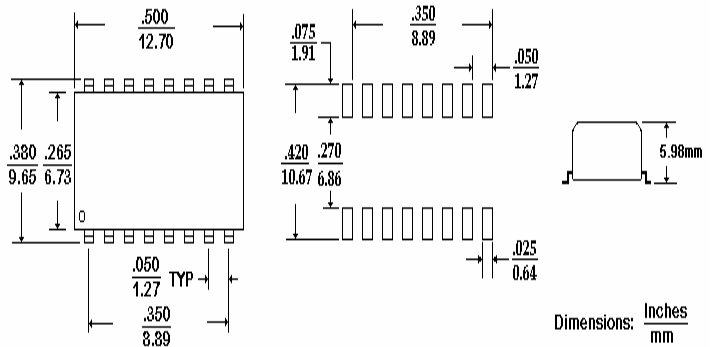
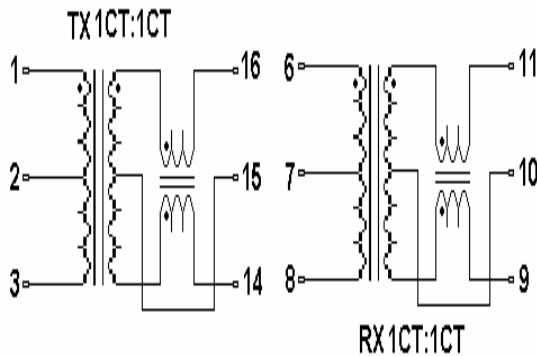
Operating temp : -40°C to +85°C

Part Number	Turns Ratio (±5%)		Insertion Loss (dB MIN)	Return Loss (dB MIN)		Common Mode Rejection (dB MIN .)			Cross Talk (dB MIN)		HIPOT (VAC)
	TX	RX		1~60 MHz	60~100 MHz	30 MHz	50 MHz	100 MHz	1~60 MHz	60~100 MHz	
HA-003	1CT:1CT	1CT:1CT	-1.1	-15	-14	-42	-37	-33	-40	-38	1500

SCHEMATICS:

DIMENSION:

TOLERANCE: mm(±0.25)



Dimensions: $\frac{\text{Inches}}{\text{mm}}$



NO: RD-HA-SD003
DATE: 2003/1/23 N (REV:0/2)

HA-003 Application Schematic :

