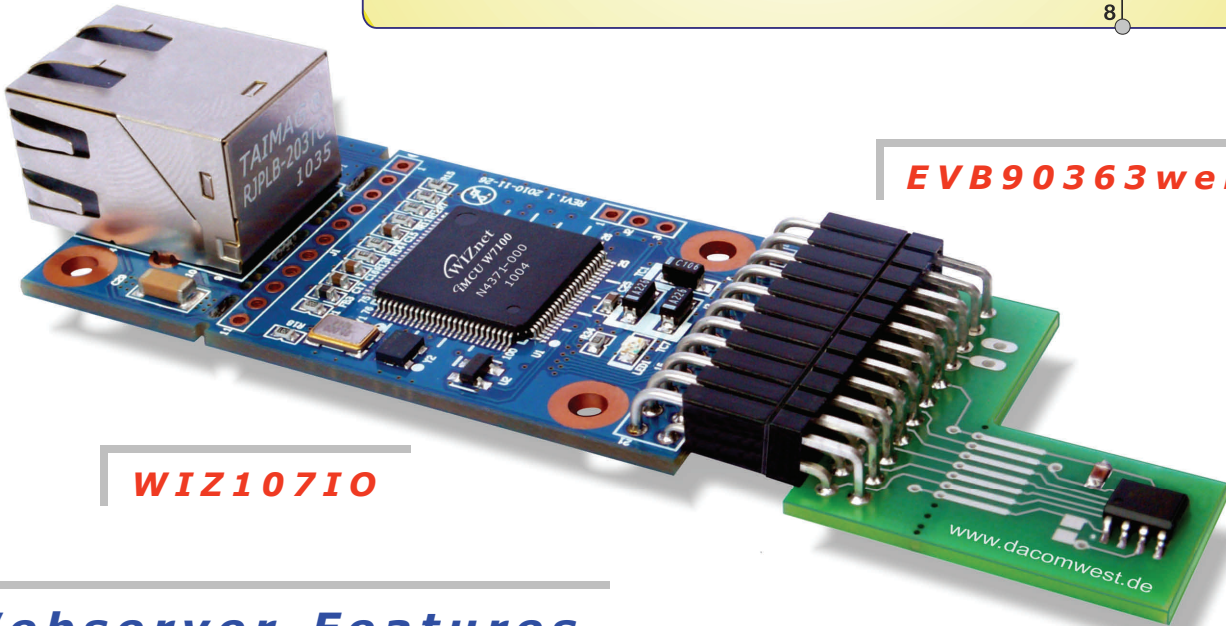
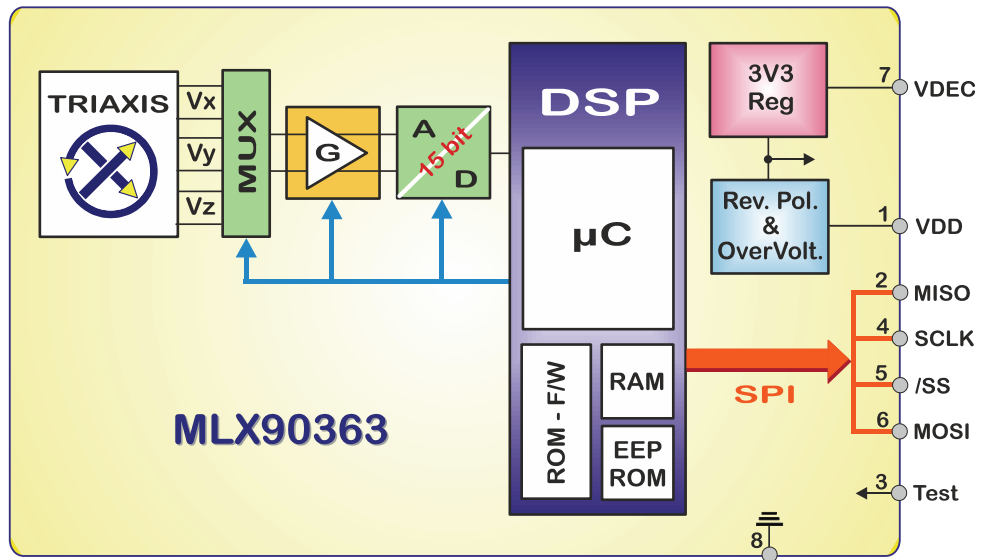




# Block Diagram MLX90363



**WIZ10710**

**EVB90363web**

## Webserver-Features

- ◆ real-time 3D graphic output
- ◆ read MLX90363-RAM and read/write of -EEPROM for configuration
- ◆ High speed data-logging and save to file
- ◆ free and open source code available, ongoing enhancement