

10/100 BASE TRANSFORMERS DESIGNED FOR NS CHIPSETS MODEL NO : HD-040

FEATURE:

RoHS Compliant

RoHS peak solder rating 260°C 3~5 sec

Meets IEEE802.3 specification

Designed to meet IR requirement

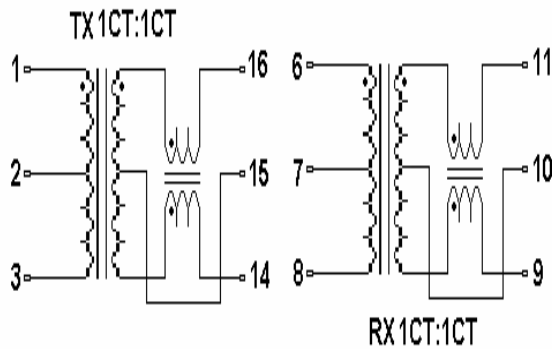
Specifications @ 25°C

Operating temp. : -40°C ~ +85°C

OCL : 350uH Min @100Khz , 100mV 8mA

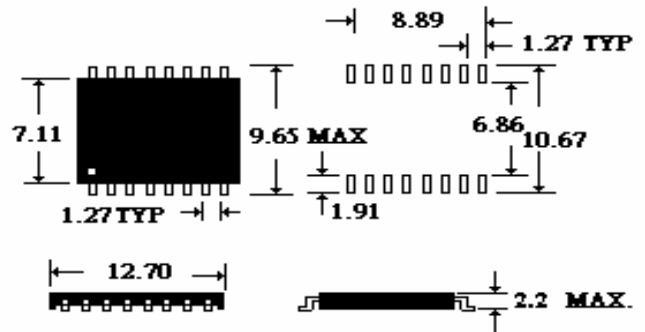
Part Number	Turns Ratio (±5%)		Insertion Loss (dB MIN)	Return Loss (dB MIN)				Common Mode Rejection (dB MIN .)			Cross Talk (dB MIN)		HIPOT (VAC)
	TX	RX		1~30 MHz	40 MHz	50 MHz	60~80 MHz	30 MHz	50 MHz	100 MHz	1~60 MHz	60~100 MHz	
HD-040	1CT:1CT	1CT:1CT	-1.1	-16	-14	-12	-10	-42	-37	-33	-40	-38	1500

SCHEMATICS:

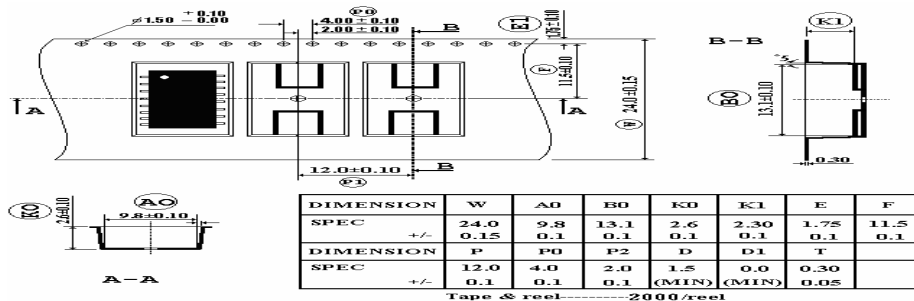


DIMENSION: mm

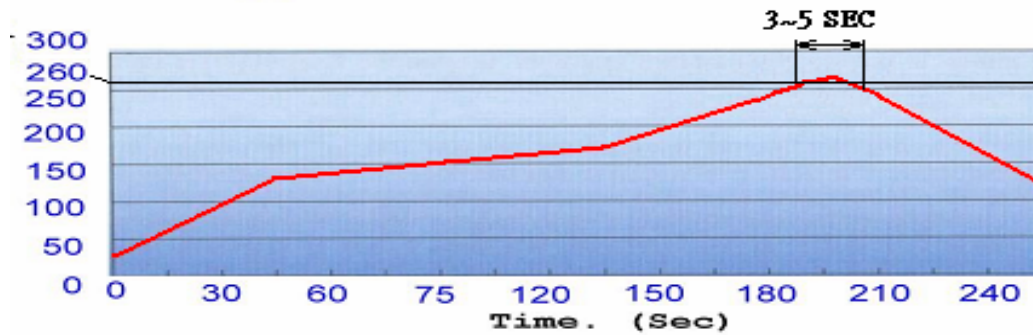
TOLERANCE: ±0.25



Packing :



MODEL NO : HD-040 Profile of IR Reflow (Lead Free)



PACKING	
1.	Tape & Reel: 2000 pcs / Reel, 10000 pcs / Carton
2.	Dry Pack: 1 pc. Product Description: 5g Silica Gel Desiccant PH: 4-8 Package Materials: Paper (Length 6.5±1cm, Width 5±1cm)
3.	Reel: Vacuum Packed
4.	Seal as per JEDEC

