

1000 BASE-T MAGNETICS MODULES

MODEL NO.: IH-001

FEATURE:

RoHS peak soldering rating: 260°C / 3~5 Sec.

Designed to meet IR requirement

SPECIFICATIONS: AT 25°C

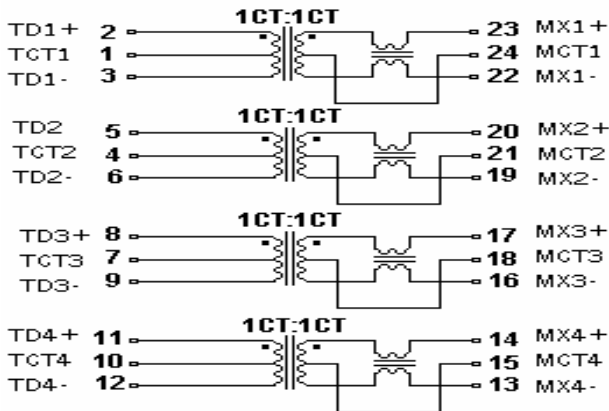
OPERATION TEMP -40°C ~ +85°C

OCL 350uH MIN. @100KHz 100mV 8mA VDC

Turns Ratio 1CT : 1CT (±2 %)

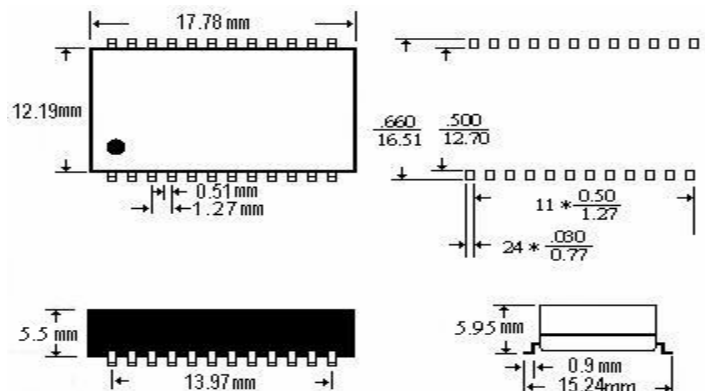
Part Number	Insertion Loss (dB TYP) 1-100MHz	Return loss (dB MIN @100Ω) 1~100 MHz					Common Mode Rejection (dB MIN) 1~100 MHz			Cross talk (dB MIN) 1~100 MHz			Hi pot VAC
		1-30	40	50	60-80	100	30MHz	60MHz	100MHz	30MHz	60MHz	100MHz	
IH-001	-1.0	-18	-14.4	-13.1	-12	-10	-43	-37	-33	-45	-40	-35	1500

SCHEMATICS:

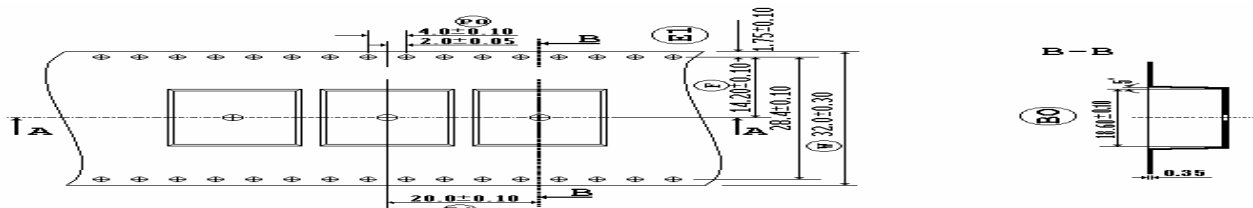


DIMENSION: mm

TOLERANCE: ±0.25

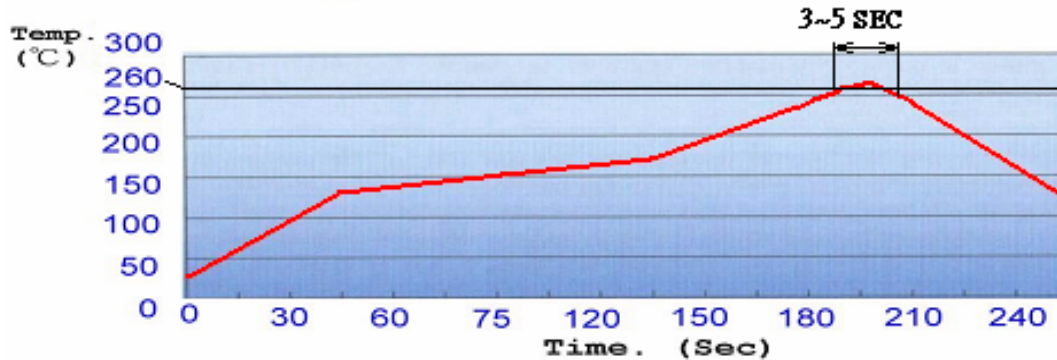


Packing:



W: 32.0 ± 0.30
 P1: 20.0 ± 0.10
 AO: 16.05 ± 0.10
 BO: 18.60 ± 0.10
 KO: 6.22 ± 0.10

Profile of IR Reflow (Lead Free)



PACKING

1. Tape & Reel : 500pcs / Reel , 2500pcs / Carton
2. Dry Pack : 1pcs
Product Description:(5g Silica Gel Desiccant)
PH: 4-8
Package Materials: Paper(Length 6.5±1cm , Width 5±1cm)
3. Reel Packed By Vacuum
4. Seal Per Jedec

