

## Single 10/100 BASE-TX Filtered Connector Module Support Auto MDIX MODEL NO. : RJTC-202TA1

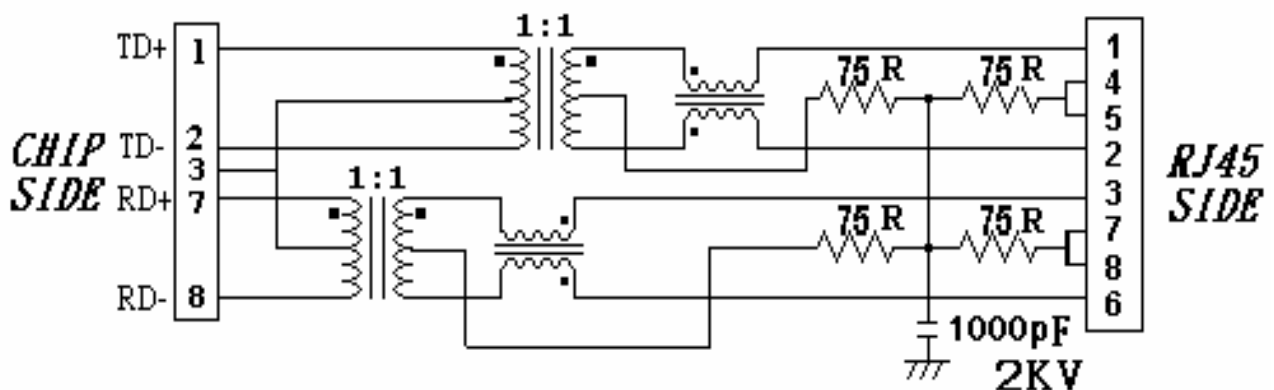
### Features:

- ⊙ RoHS Compliant
- ⊙ Fully shielded magnetics protect data from internally generated digital noise
- ⊙ Reduces the overall length of the signal path for improved common mode performance
- ⊙ Implements full common mode termination scheme with used and unused twisted pairs
- ⊙ Meets IEEE802.3 Baseline Wander Compensation specification
- ⊙ Integrates high voltage capacitor to chassis ground
- ⊙ Supports all major transceivers with matched turns ration and complete integration of specified termination
- ⊙ Design for 100base-tx transmission over UTP-5 cable
- ⊙ Operating TEMP. range:-40°C to +85°C
- ⊙ Storage TEMP. range:-55°C to +125°C
- ⊙ Primary OCL inductance: 350μH MIN. at 100KHz/0.1Vrms 8mA DC bias

### Typical Performance Characteristics@ 25°C

Insertion Loss (dB MAX)	Return Loss (dB Min @100±15Ω)				Differential to Common Mode Rejection (dB MIN)	Cross talk (dB MIN)					CMRR (dB MIN)	Isolation Voltage (Vrms min)
	MHz	MHz				MHz	MHz					
1~100	1~30	40	50	60~80	1~100	20	40	60	80	100	1~100	1500
-1.0	-16	-14	-12	-10	-33	-47	-40	-37	-35	-33	-30	

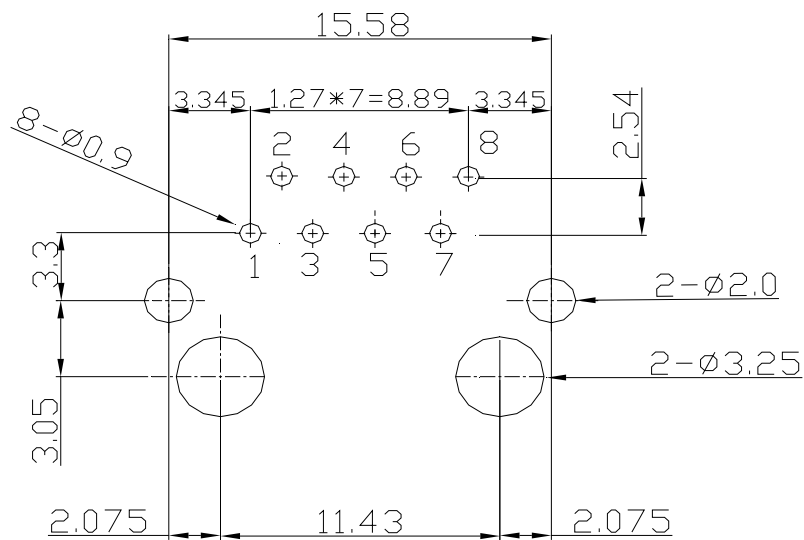
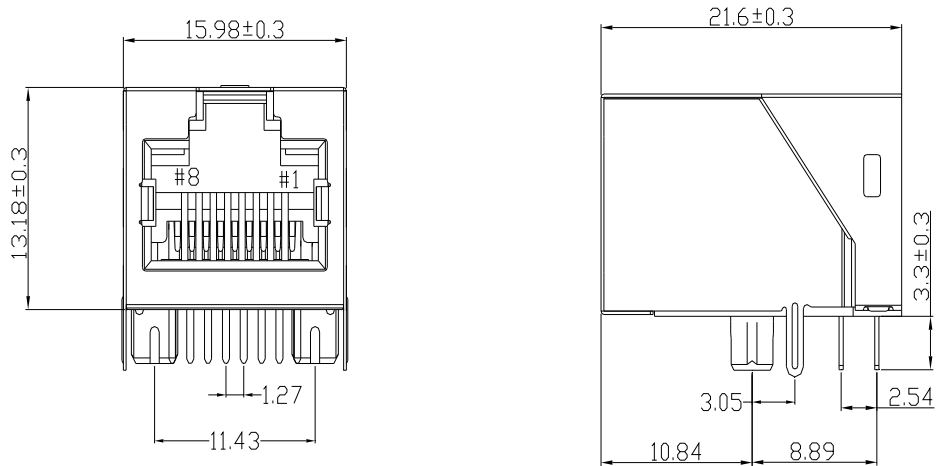
### Schematic: Design on MDI Interface Circuitry



## MODEL NO. : RJTC-202TA1

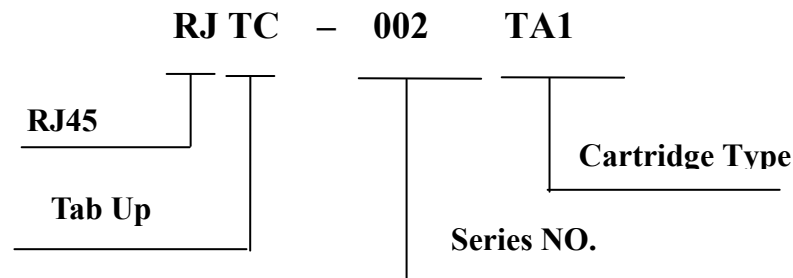
**Dimension:** mm

**TOLERANCE:** ±0.15 (unless otherwise specified)



**RECOMMENDED P.C.B LAYOUT  
COMPONENT SIDE OF BOARD**

## MODEL NO. : RJTC-202TA1 Ordering Information



### Requirements :

#### 1. Design and Construction

Product shall be of design, construction and physical dimensions specified on applicable product drawing.

#### 2. Materials and Finish

##### A. Contact:

RJ Contact : Phosphor Bronze, Thickness=0.30mm

Finish :Contact Area : 5 $\mu$ "min. Gold over 50  $\mu$ "min. Nickel

RJ Joint Contact : SPCC, Thickness=0.3mm

Finish : 80 $\mu$ "min. Sn over 50  $\mu$ "min. Nickel

##### B. Plastic Part :

- (1) Set Housing : Thermoplastic, LCP, Black  
UL FILE NO. : E106764  
Manufacturer : POLYPLASTICS CO LTD.  
Grade : E130i(d)(e)  
Flame Class : UL 94V-00
- (2) Insert : Thermoplastic, LCP, Black  
UL FILE NO. : E106764  
Manufacturer : POLYPLASTICS CO LTD.  
Grade : E130i(d)(e)  
Flame Class : UL 94V-00
- (3) Spacer : Thermoplastic, LCP, Black  
UL FILE NO. : E106764  
Manufacturer : POLYPLASTICS CO LTD.  
Grade : E130i(d)(e)  
Flame Class : UL 94V-00



NUMBER:RD-RJ- SDTLA-6707(TD)  
DATE : 2007/11/22 R(REV:A3)

---

## **MODEL NO. : RJTC-202TA1**

### **C. Shield Material :**

**Cartridge t=0.25mm**

**10 $\mu$ "-20 $\mu$ " Thick Nickel over Brass**

### **3. Ratings**

- (1) Voltage rating : 125 VAC**
- (2) Current rating : 1.5A**

### **Durability :**

- (1)1000 cycles with no function damage for RJ-45 . Abnormalities shall be present after the test.**
- (2)Low Level Contact Resistance :  $\Delta R=30m\Omega$  maximum (final)**
- (3)The sample should be mounted in the tester and fully mated and unmated 500 times per hour at the rate of 25mm/min.EIA-364-09C.**

## MODEL NO. : RJTC-202TA1

1. Unit weight :5.7 grams
2. package : 100 pcs / tray / 0.61 kgms
3. Carton : 1000 pcs / 10 layers of tray
4. Gross weight : 6.6455 kgms

### Package drawing:

