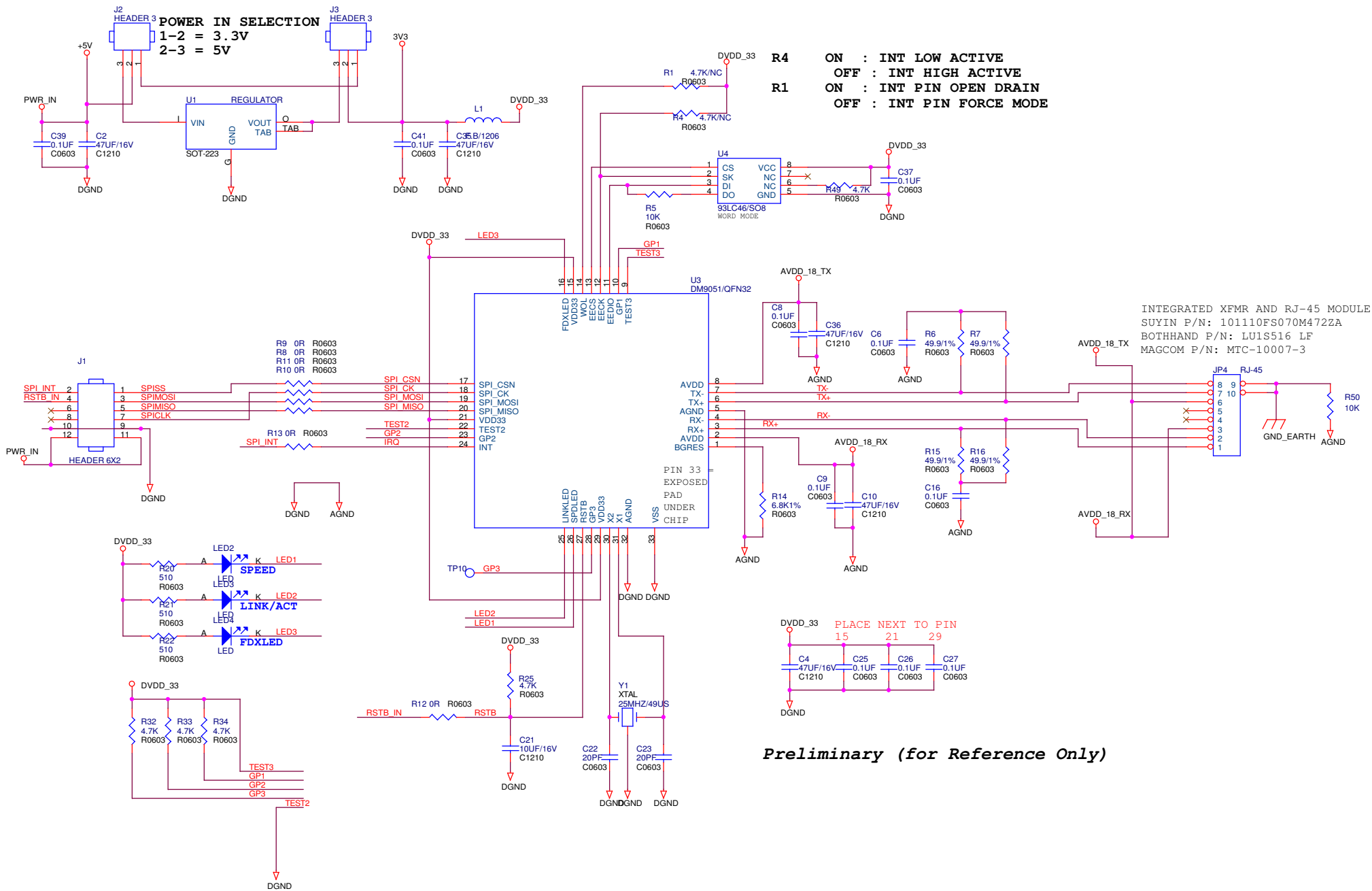


32QFN DM9051 DEMO BOARD V2.1
P/N: D4L-9051-NN-21-1

| | | |
|-----------------------------------|--------------------------|----------------------------------|
| Davicom Semiconductor Inc. | | |
| Title | | DM9051 Demo Board (PCB_Overview) |
| Size A4 | Document Number 01TOP | Rev 2.1 |
| Date: | Tuesday, August 05, 2014 | Sheet 1 of 3 |



| | | |
|----------------------------|--------------------------|--------------|
| Davicom Semiconductor Inc. | | |
| Title | DM9051 Demo Board | |
| Size | Document Number | Rev |
| A3 | DM9051_OFN32 | 2.1 |
| Date: | Tuesday, August 05, 2014 | Sheet 2 of 3 |

| VER | DATE | ENGINEER | NOTE |
|-----|------------|-------------|---|
| 2.0 | 06/20/2014 | Willie Niou | INITAL CIRCUIT CREATION |
| 2.1 | 08/05/2014 | Willie Niou | Modify J1 pin assignment to show correct connection Pin 1 = SPISS Pin 3 = SPIMOSI Pin 5 = SPIMISO Pin 7 = SPICLK Pin 2 = SPI_INT Pin 4 = RSTB_IN Pin 9, 10 = GND Pin 11, 12 = PWR |

| | | |
|-----------------------------------|----------------------------|-------------------|
| Davicom Semiconductor Inc. | | |
| Title | | DM9051 Demo Board |
| Size A4 | Document Number HISTORY | Rev 2.1 |
| Date: | Tuesday, August 05, 2014 | Sheet 3 of 3 |