

MODEL NO. : RJ-SMT-010NA1

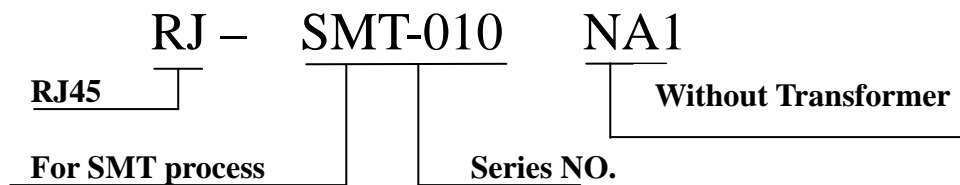
Features:

- ⊙ RoHS Compliant
- ⊙ Meets IEEE802.3 Baseline Wander Compensation specification
- ⊙ Operating Temp Range : -40°C To +85°C
- ⊙ VOLTAGE RATING: 125VAC
- ⊙ CURRENT RATING: 1.5A
- ⊙ Dielectric Voltage : 1500 V RMS 60Hz 1minute
- ⊙ Design for 100BASE-TX Transmission over UTP-5 cable.

Materials:

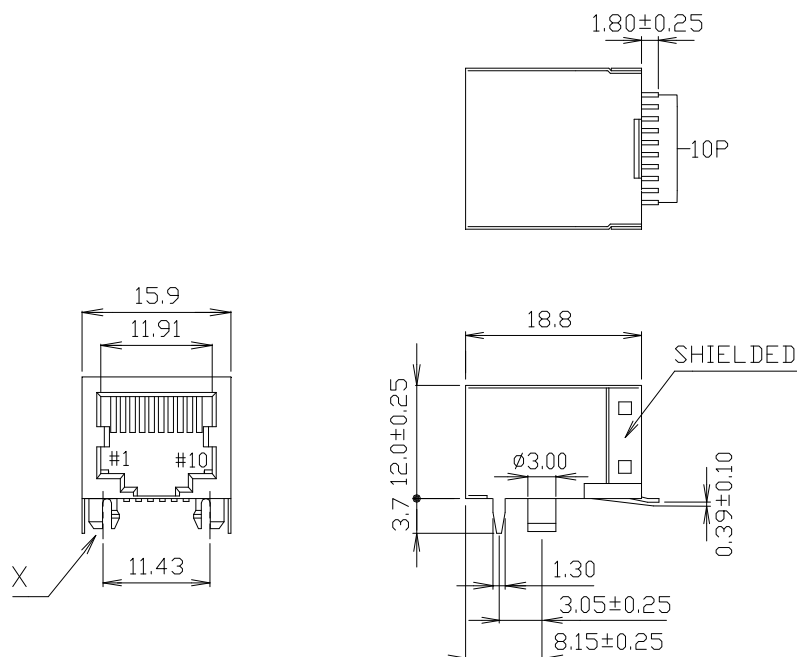
- ⊙ Plastic Housing : Engineering Thermoplastic
Flammability Rating UL 94V-0
- ⊙ Contacts: 0.35mm Thickness Phosphor Bronze
- ⊙ Plating (6 μ"): Gold Plating Over Nickel in Contact, Tin Plating Over Nickel in Solder Area.
- ⊙ Shield: Brass With Nickel Plated.

Ordering Information

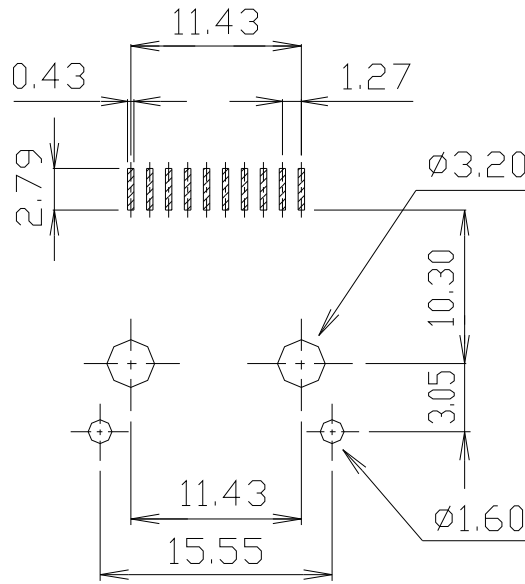


Dimension: mm

TOLERANCE:±0.15



MODEL NO. : RJ-SMT-010NA1



PC Board Layout
Ref.