



NUMBER:RD-SDRJL-006NA
DATE : 2005/08/18- JC (REV:A2)

MODEL NO. : RJL-006NA

EMI-RFI ONE PIECE SHIELD, ESD GROUNDED, SINGLE PORT LED JACK

Features:

Meets IEEE802.3 Baseline Wander Compensation specification

Operating Temp Range : -40 to +85

Insulation Resistance : 500M-Ohm Min

Contact Resistance : 20milli-Ohm Max.

Dielectric Voltage : 1000 V RMS 60Hz 1minute

Design for 100BASE-TX Transmission over UTP-5 cable.

Plastic Housing : Engineering Thermoplastic

Flammability Rating UL 94V-0

Contacts : 0.35MM Thickness Phosphor Bronze

Plating (30 μ ”) : Gold Plating Over Nickel in Contact, Tin Plating Over Nickel in Solder Area.

Shield : Brass With Nickel Plated.

LED Configuration (Recommended operation current (IF) : 20 mA)

Standard LED	Wavelength	Forward V(MAX)	(TYP)
Green	565nm	2.5V	2.1V
Yellow	585nm	2.5V	2.2V

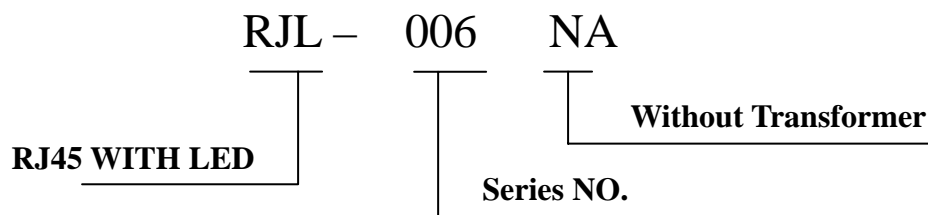
RJ45 Durability Testing Rating

Mating Force (MAX)	Unmating Force (MAX)	Durability	Plug to Jack Retention(MIN)
5 lbs/2.268 kgs	5 lbs/2.268 kgs	500 Insertions	20 lbs/9.072 kgs

Ratings

Voltage rating	Current rating
125 VAC	1.5A

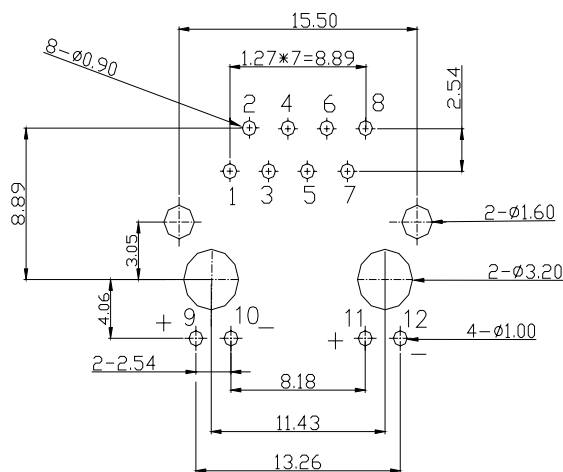
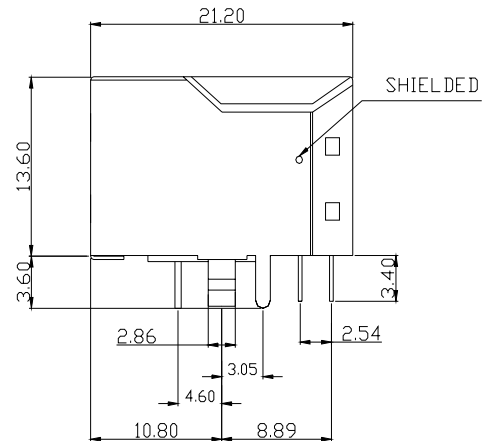
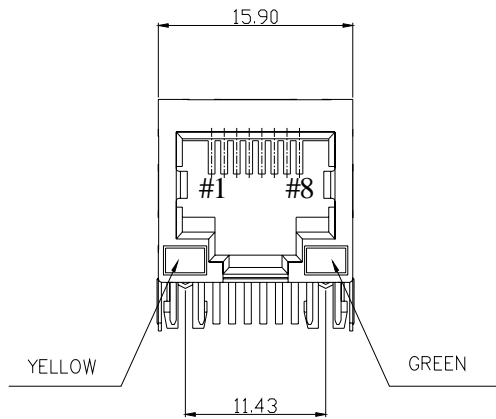
Ordering Information



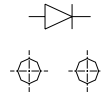
MODEL NO. : RJL-006NA

Dimension: mm

TOLERANCE:±0.15(unless otherwise specified)



LED POLARITY (ENLARGED VIEW)



SINGLE COLOR LED

PCB Layout
(Top View)