

RJ 45 Side Entry PCB Jack

MODEL NO. : RJ-001NA1

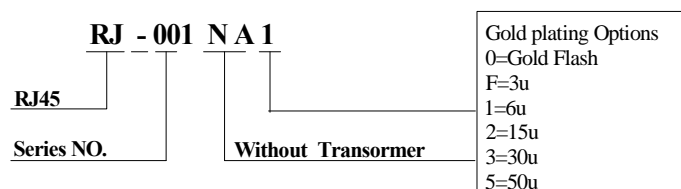
Features:

- ⊙ RoHS Compliant
- ⊙ Meets IEEE802.3 Baseline Wander Compensation specification
- ⊙ Operating Temp Range : -25°C To +90°C
- ⊙ Voltage Rating: 125VAC
- ⊙ Current Rating: 1.5A
- ⊙ Dielectric Voltage : 1,000Vrms 60 Sec. Min
- ⊙ Design for 10/100BASE-TX Transmission UPT5 cable

Materials:

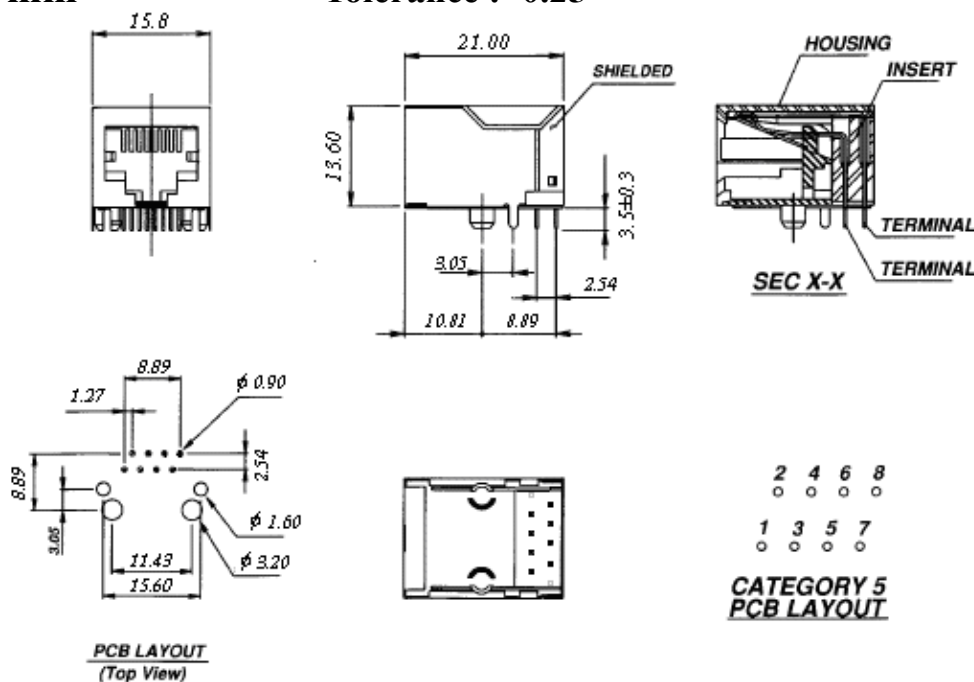
- ⊙ Plastic Housing : Engineering Thermoplastic
Flammability Rating UL 94V-0
- ⊙ Contacts: 0.35mm Thickness Phosphor Bronze
- ⊙ Plating (6μ") : Gold Plating Over Nickel in Contact, Tin Plating Over Nickel in Solder Area
- ⊙ Shield : Brass With Nickel Plated

Ordering Information



Dimension: mm

Tolerance :±0.25



**CATEGORY 5
PCB LAYOUT**