

Single 10/100 BASE-TX Filtered Connector Module MODEL NO. : RJ-001TC1

Features :

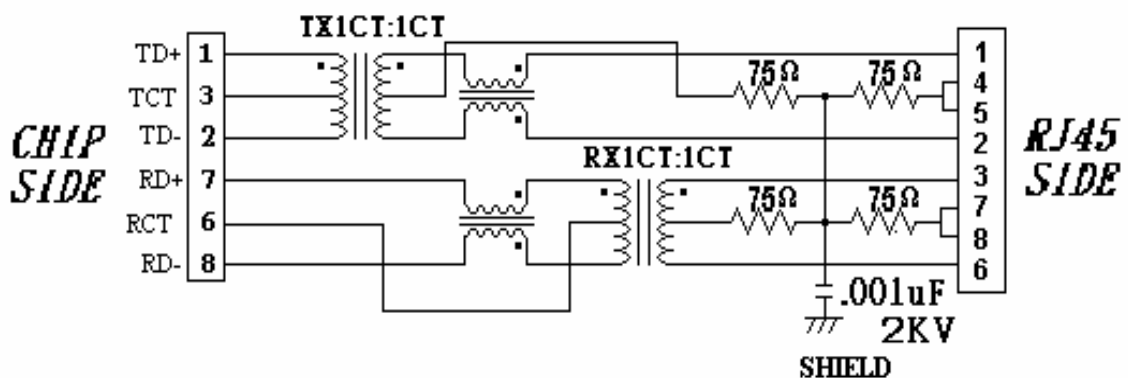
RoHS Compliant

- Fully shielded magnetics protect data from internally generated digital noise
- Reduces the overall length of the signal path for improved common mode performance
- Implements full common mode termination scheme with used and unused twisted pairs
- Meets IEEE802.3 Baseline Wander Compensation specification
- Integrates high voltage capacitor to chassis ground
- Supports all major transceivers with matched turns ration and complete integration of specified termination
- Design for 100base-tx transmission over UTP-5 cable
- Operating TEMP. range:-40 to +85
- Storage TEMP. range:-55 to +125
- Primary OCL inductance: 350 μ H MIN. at 100KHz/0.1Vrms 8mA DC bias

Typical Performance Characteristics@ 25

Insertion Loss (dB MAX)	Return Loss (dB Min @100 \pm 15 Ω)				Differential to Common Mode Rejection (dB MIN)	Cross talk (dB MIN)					CMRR (dB MIN)	Isolation Voltage (Vrms min)
	MHz	MHz				MHz	MHz					
1~100	1~30	40	50	60~80	1~100	20	40	60	80	100	1~100	1500
-1.0	-16	-14	-12	-10	-33	-47	-40	-37	-35	-33	-30	

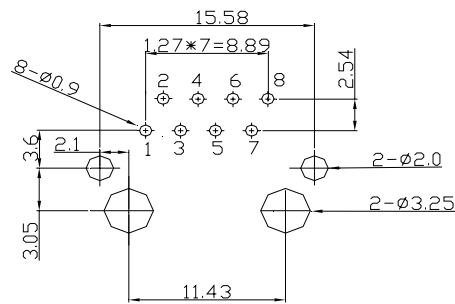
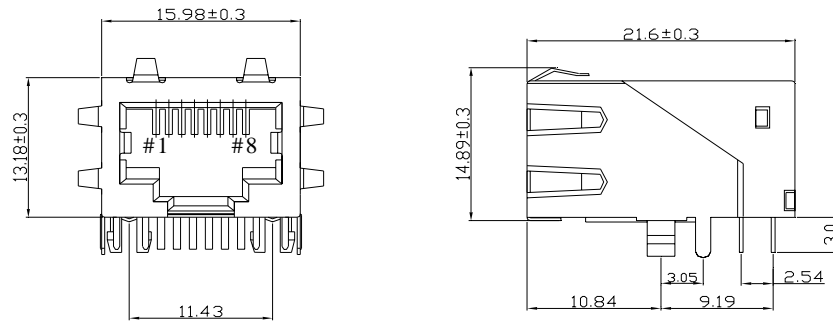
Schematic: Design on MDI Interface Circuitry



MODEL NO. : RJ-001TC1

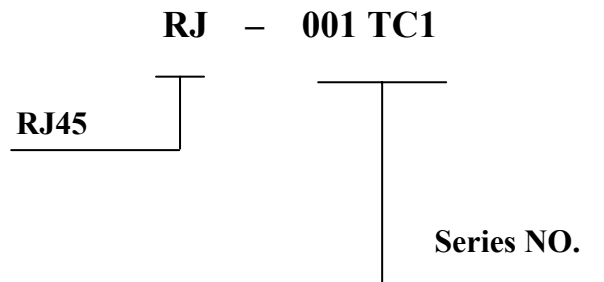
Dimension: mm

TOLERANCE: ± 0.15 (unless otherwise specified)



RECOMMENDED P.C.B LAYOUT
COMPONENT SIDE OF BOARD

MODEL NO. : RJ-001TC1 Ordering Information



Requirements :

1. Design and Construction

Product shall be of design, construction and physical dimensions specified on applicable product drawing.

2. Materials and Finish

A. Contact:

RJ Contact : Phosphor Bronze, Thickness=0.30mm

Finish : Contact Area : 6 μ "min. Gold over 50 μ "min. Nickel

RJ Joint Contact : Phosphor Bronze, Thickness=0.3mm

Finish : 80 μ "min. Sn over 50 μ "min. Nickel

B. Plastic Part :

(1) Set Housing : Thermoplastic, PBT, Black

UL FILE NO. : E107536

Manufacturer : SHIKONG SYNTHETIC FIBERS CORP.

Grade : E202G30BK

Flame Class : UL 94V-0

(2) Insert : Thermoplastic, PBT, Black

UL FILE NO. : E107536

Manufacturer : SHIKONG SYNTHETIC FIBERS CORP.

Grade : E202G30BK

Flame Class : UL 94V-0

(3) Spacer : Thermoplastic, PBT, Black

UL FILE NO. : E107536

Manufacturer : SHIKONG SYNTHETIC FIBERS CORP.

Grade : E202G30BK



NUMBER:RD-SDRJ-001TC1
DATE :2005/09/02 I (REV:A1)

MODEL NO. : RJ-001TC1

Flame Class : UL 94V-0

C. Shield Material :

Cartridge t=0.25mm

10 μ "-20 μ " Thick Nickel over Brass

3. Ratings

(1) Voltage rating : 125 VAC

(2) Current rating : 1.5A

Durability :

(1)1000 cycles with no function damage for RJ-45 . Abnormalities shall be present after the test.

(2)Low Level Contact Resistance : $\Delta R=30m\Omega$ maximum (final)

(3)The sample should be mounted in the tester and fully mated and unmated 500 times per hour at the rate of 25mm/min.EIA-364-09C.

MODEL NO.: RJ-001TC1

1. Unit weight :5.7 grams
2. package : 100 pcs / tray / 0.61 kgms
3. Carton : 1000 pcs / 10 layers of tray
4. Gross weight : 6.6455 kgms

Package drawing:

