

## Single 10/100 BASE-TX Filtered Connector Integrated LED (PoE) MODEL NO. : RJPLB-203TC1

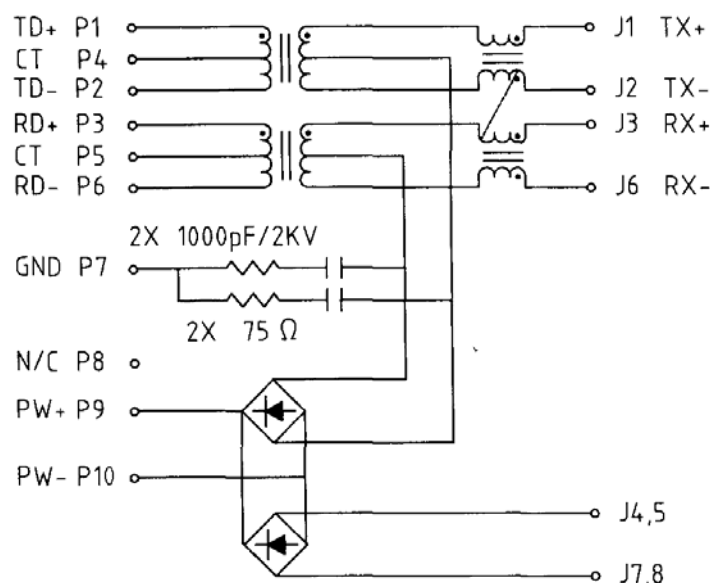
### Features:

- ⊙ RoHS Compliant
- ⊙ Fully shielded magnetics protect data from internally generated digital noise
- ⊙ Reduces the overall length of the signal path for improved common mode performance
- ⊙ Implements full common mode termination scheme with used and unused twisted pairs
- ⊙ Meets IEEE802.3 Baseline Wander Compensation specification
- ⊙ Integrates high voltage capacitor to chassis ground
- ⊙ Supports all major transceivers with matched turns ration and complete integration of specified termination
- ⊙ Design for 100base-tx transmission over UTP-5 cable
- ⊙ Operating TEMP. range:-40°C to +85°C
- ⊙ Storage TEMP. range:-55°C to +125°C
- ⊙ Primary OCL inductance: 350μH MIN. at 100KHz/0.1Vrms 8mA DC bias

### Typical Performance Characteristics@ 25°C

Insertion Loss (dB MAX)	Return Loss (dB Min @100±15Ω)				Differential to Common Mode Rejection (dB MIN)	Cross talk (dB MIN)					CMRR (dB MIN)	Isolation Voltage (Vrms min)
	MHz	MHz	MHz	MHz		MHz	MHz	MHz	MHz	MHz		
1~100	1~30	40	50	60~80	1~100	20	40	60	80	100	1~100	1500
-1.0	-16	-14	-12	-10	-33	-47	-40	-37	-35	-33	-30	

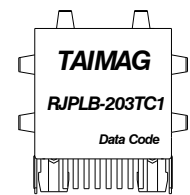
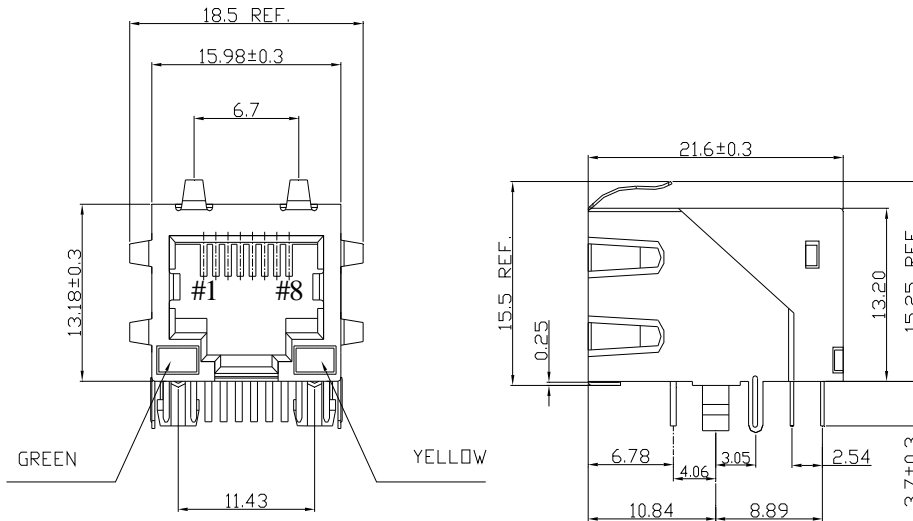
### Schematic: Design on MDI Interface Circuitry



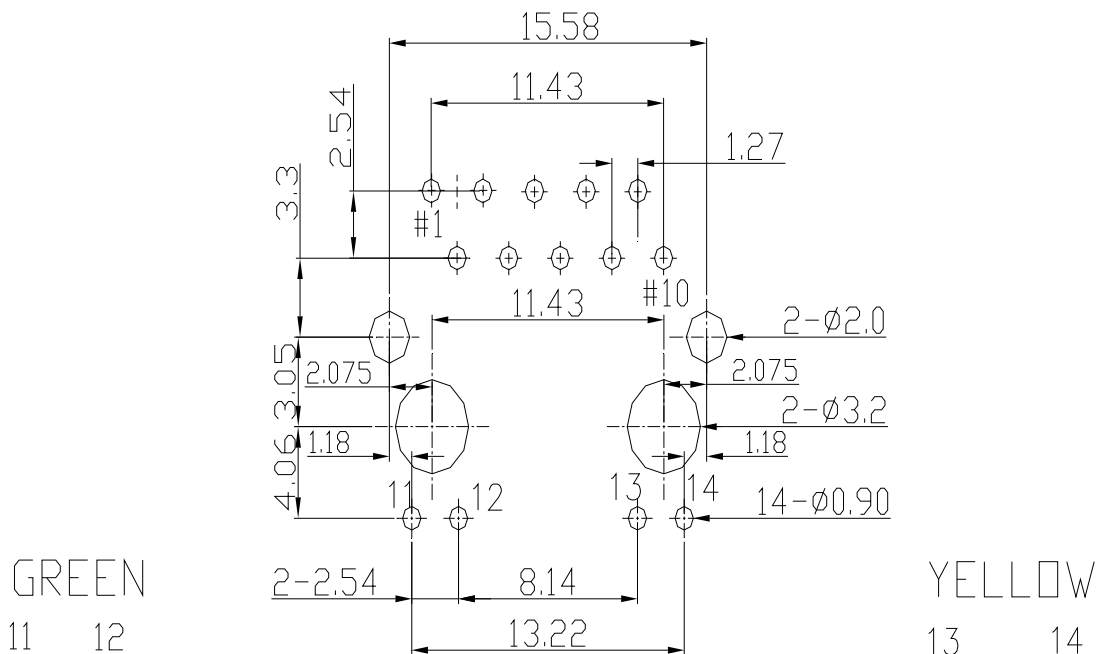
## MODEL NO. : RJPLB-203TC1

**Dimension:** mm

**TOLERANCE:**  $\pm 0.15$  (unless otherwise specified)

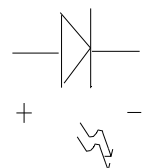


Connector Marking

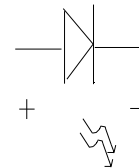


GREEN  
11 12

YELLOW  
13 14



RECOMMENDED P.C.B LAYOUT  
COMPONENT SIDE OF BOARD





NUMBER:RD-SDRJLBP-203TC1  
DATE : 2008/02/04 R(REV:A4)

## MODEL NO. : RJPLB-203TC1

### Ordering Information

<b>R J</b>	<b>P</b>	<b>L B</b>	<b>-</b>	<b>2 0 3 T C 1</b>
R J 4 5				Series N O .
P o E		W i t h L E D		

### Requirements :

#### 1. Design and Construction

Product shall be of design, construction and physical dimensions specified on applicable product drawing.

#### 2. Materials and Finish

##### A. Contact:

**RJ Contact : Phosphor Bronze, Thickness=0.30mm**

**Finish :Contact Area :6μ”min. Gold over 50 μ”min. Nickel**

**RJ Joint Contact : SPCC, Thickness=0.3mm**

**Finish : 80μ”min. Sn over 50 μ”min. Nickel**

**LED Joint Contact : SPCC, Thickness=0.50mm**

**Finish : 80μ”min. Sn over 50μ”min. Nickel**

##### B. Plastic Part :

**(1) Set Housing : Thermoplastic, LCP, Black**

**UL FILE NO. : E106764**

**Manufacturer : POLYPLASTICS CO LTD.**

**Grade : E130i(d)(e)**

**Flame Class : UL 94V-0**

**(2) Insert : Thermoplastic, LCP, Black**

**UL FILE NO. : E106764**

**Manufacturer : POLYPLASTICS CO LTD.**

**Grade : E130i(d)(e)**

**Flame Class : UL 94V-0**

**(3) Spacer : Thermoplastic, LCP, Black**

**UL FILE NO. : E106764**

**Manufacturer : POLYPLASTICS CO LTD.**

**Grade : E130i(d)(e)**

**Flame Class : UL 94V-0**



NUMBER:RD-SDRJLBP-203TC1  
DATE : 2008/02/04 R(REV:A4)

---

## **MODEL NO. : RJPLB-203TC1**

**Manufacturer : SHIKONG SYNTHETIC FIBERS CORP.**

**Grade : E202G30BK**

**Flame Class : UL 94V-0**

### **C. Shield Material :**

**Cartridge t=0.25mm**

**10 $\mu$ "-20 $\mu$ " Thick Nickel over Brass**

### **D. LED Lamp**

**(a) Lens Color: Transparent with color**

**(b) Emitted Color: Green & Yellow**

**(c) Viewing Angle: 60°**

**(d) Dominant Wavelength: Green 570nm ; Yellow 585nm**

**(e) Forward Current / Reverse Voltage : Green 30 mA /(5V) ; Yellow 20 mA /(5V)**

**(f) Material : Green (GaP/GaP) ; Yellow (GaAsP/GaP)**

## **3. Ratings**

**(1) Voltage rating : 125 VAC**

**(2) Current rating : 1.5A**

## **Durability :**

**(1)1000 cycles with no function damage for RJ-45 . Abnormalities shall be present after the test.**

**(2)Low Level Contact Resistance :  $\Delta R=30m\Omega$  maximum (final)**

**(3)The sample should be mounted in the tester and fully mated and unmated 500 times per hour at the rate of 25mm/min.EIA-364-09C.**

## MODEL NO.: RJPLB-203TC1

1. Unit weight :5.7 grams
2. package : 100 pcs / tray / 0.61 kgms
3. Carton : 1000 pcs / 10 layers of tray
4. Gross weight : 6.6455 kgms

### Package drawing:

