

RJ 45 Side Entry PCB Jack With USB 2.0 Connector

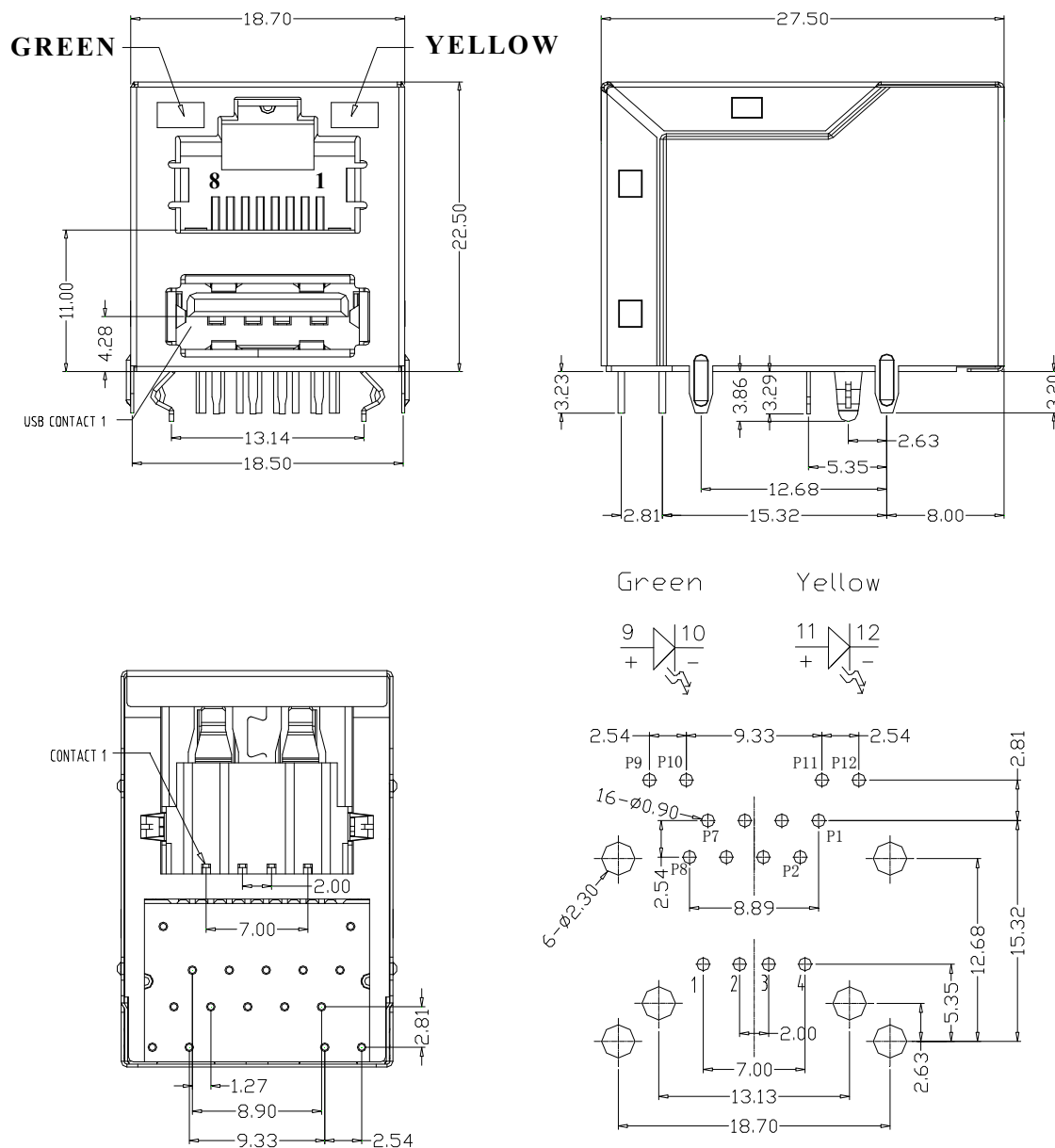
MODEL NO. : RJLU-001NA1

Feature:

- ⊙ RoHS Compliant
- ⊙ Meets IEEE802.3 Baseline Wander Compensation specification
- ⊙ Supports all major transceivers with matched turns ration and complete integration of specified termination
- ⊙ Design for 10/100/1000 base-tx transmission over UTP-5 cable
- ⊙ Operating TEMP. range : -40°C to +85°C
- ⊙ Storage TEMP. range : -55°C to +125°C

Dimension: mm

TOLERANCE: ± 0.25 mm (Unless otherwise specified)





NUMBER:RD-RJ-RJLU-001NA1
DATE :2011/04/18 -R (REV:A1)

MODEL NO. : RJLU-001NA1 Ordering Information

R J L U - 0 0 1 N A 1	
R J 4 5	Series N O .
L E D	W i t h U S B

Requirements :

1. Design and Construction

Product shall be of design, construction and physical dimensions specified on applicable product drawing.

2. Materials and Finish

A. Contact:

RJ Contact : Phosphor Bronze, Thickness=0.30mm

Finish : Contact Area :6 μ "min. Gold over 50 μ "min. Nickel

RJ Joint Contact : Brass, Thickness=0.30mm

Finish : 80 μ "min. Sn over 50 μ "min. Nickel

USB Contact : Brass, Thickness=0.25mm

Finish : Contact Area : 30 μ "min. Gold over 50 μ "min. Nickel

LED Joint Contact : Brass, Thickness=0.30mm

Finish : 80 μ "min. Sn over 50 μ "min. Nickel

B. Plastic Part :

(1) Set Housing : Thermoplastic, PA66, Black

Flame Class : UL 94V-0

(2) Insert : Thermoplastic, PA66, Black

Flame Class : UL 94V-0

(3) Spacer : Thermoplastic, PA66, Black

Flame Class : UL 94V-0

(4) USB Housing : Thermoplastic, PA66, Black

Flame Class : UL 94V-0

MODEL NO. : RJLU-001NA1

C. Shield Material :

Cartridge $t=0.25\pm 0.05\text{mm}$

10 μ "-20 μ " Thick Nickel over Brass

D. LED Lamp

(a) Lens Color : Transparent with color

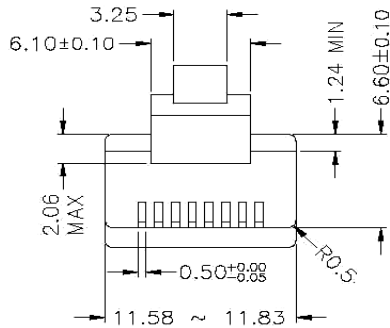
(b) Emitted Color : Green & Yellow

(c) View Angle : 65°

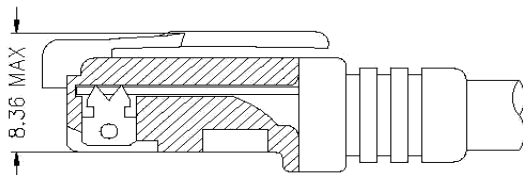
(d) Wave Length : Green 565nm ;Yellow 585nm

(e)Recommended operation current (IF) : 20 mA

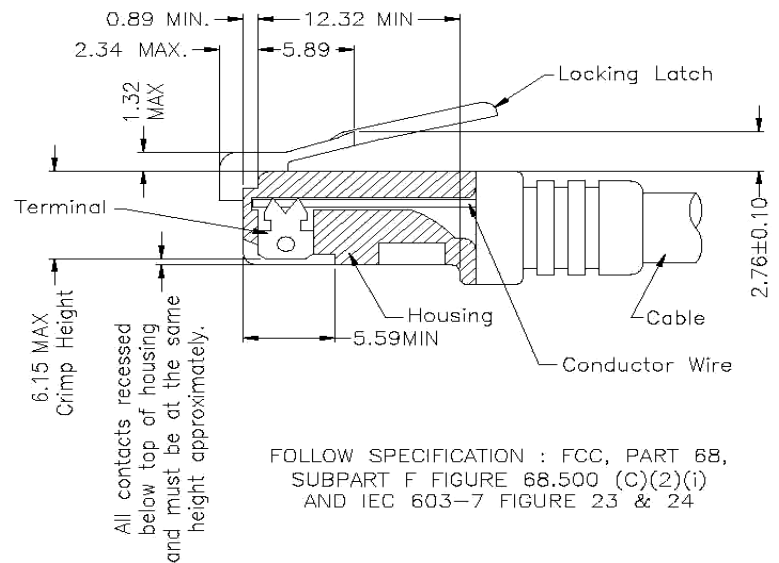
RJ PLUG SPECIFICATION :



- * There must be no damage to housing or locking latch. There must be no nicks or cuts in cable.
- * Durability : 750 cycles generally



FOLLOW SPECIFICATION : FCC, PART 68, SUBPART F
FIGURE 68.500 (C)(2)(ii)



FOLLOW SPECIFICATION : FCC, PART 68,
SUBPART F FIGURE 68.500 (C)(2)(i)
AND IEC 603-7 FIGURE 23 & 24

STANDARD MODULAR PLUG ASSEMBLY