

10/100 BASE FILTER WITH DUAL USB 2.0 CONNECTOR

Model NO. : RJLU-046TC1

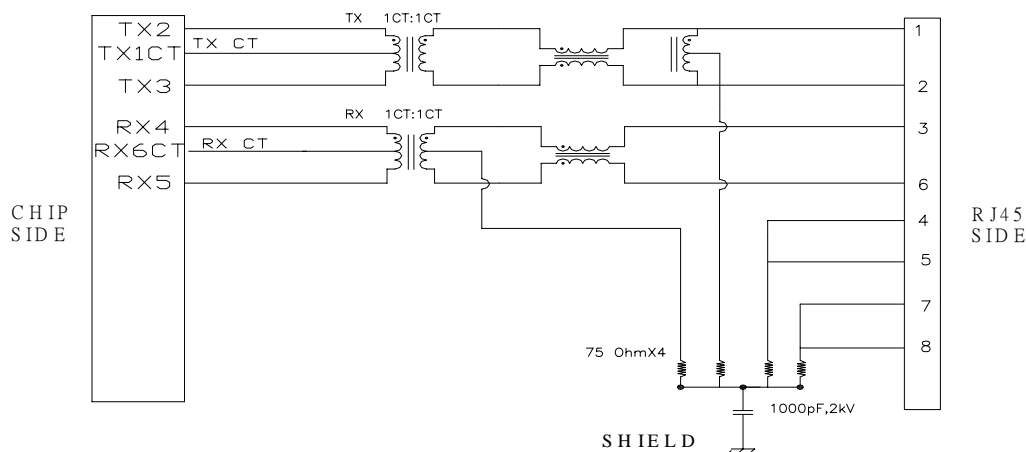
Feature:

- ⊙ Fully shielded magnetics protect data from internally generated digital noise
- ⊙ Reduces the overall length of the signal path for improved common mode performance
- ⊙ Implements full common mode termination scheme with used and unused twisted pairs
- ⊙ Meets IEEE802.3 Baseline Wander Compensation specification
- ⊙ Integrates high voltage capacitor to chassis ground
- ⊙ Supports all major transceivers with matched turns ration and complete integration of specified termination
- ⊙ Design for 100BASE-TX Transmission over UTP-5 cable.
- ⊙ Operating temp range: 0°C to +70°C
- ⊙ Storage temp range: -25°C to + 125°C
- ⊙ Primary OCL inductance: 350uH MIN AT100KHz/0.1Vrms with 8mA DC bias.
- ⊙ With the LED lamp.

Typical Performance Characteristics

Insertion Loss (dB MAX)		Return Loss (dB Min @100Ω)				Differential to Common Mode Rejection (dB MIN)	Cross talk (dB MIN)					CMRR (dB MIN)	Isolation Voltage (Vrms min)
MHz		MHz				MHz	MHz					MHz	1500
0.3~100	100~125	0.5~40	60	80	100	0.3~100	20	40	60	80	100	0.3~100	
-0.8	-1.2	-18	-14.5	-12	-10	-35	-47	-40	-37	-35	-33	-30	

Schematic Design on MDI Interface Circuitry



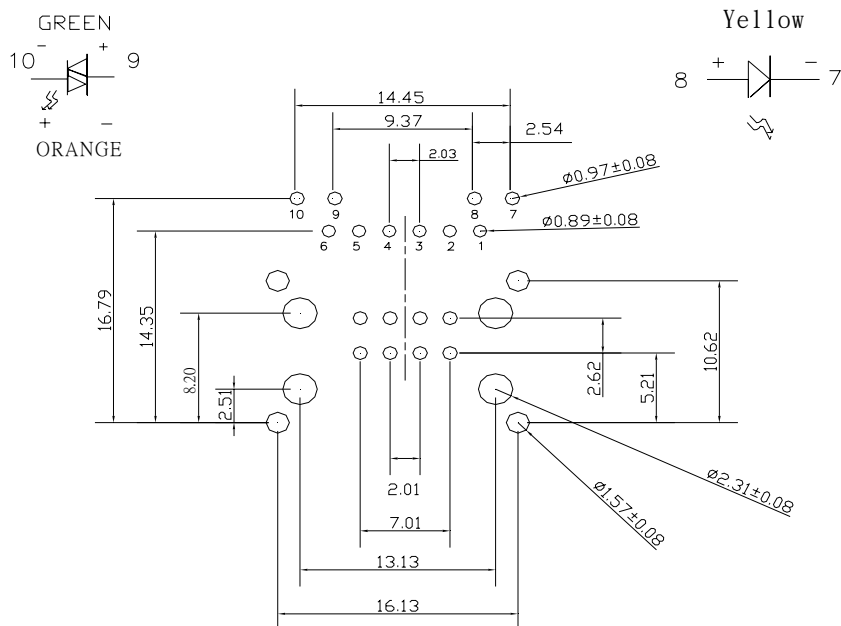
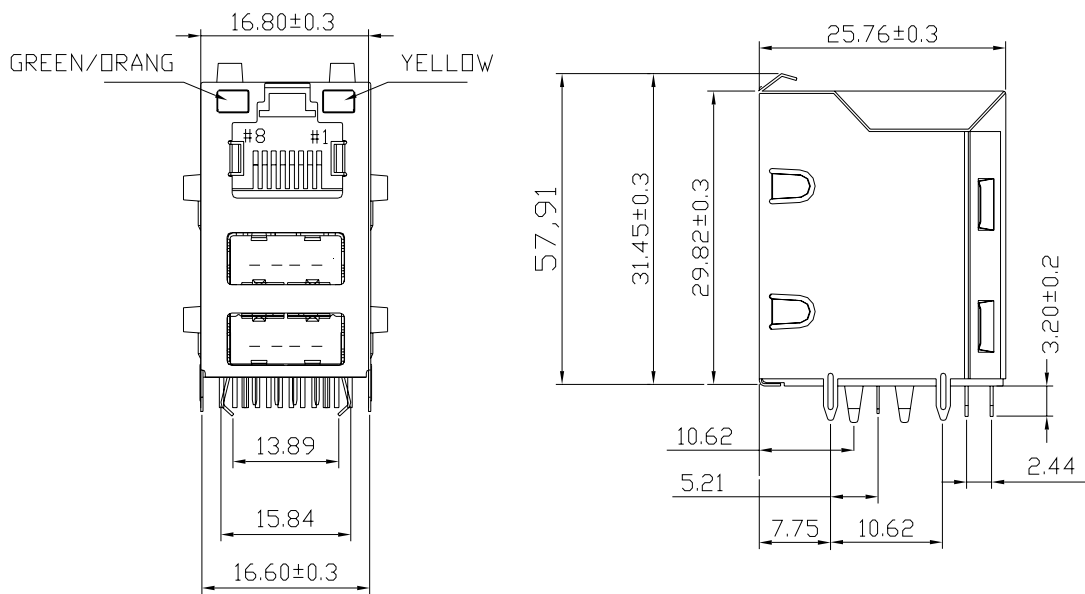


NUMBER:RD-SDXRJB-S-1-86-Z-K6-102
 DATE : 2007/03/02 -R(REV:A2)

Model NO. : RJLU-046TC1

Dimension: mm

TOLERANCE: ± 0.15 mm



RECOMMENDED P.C.B LAYOUT
 COMPONENT SIDE OF BOARD



NUMBER:RD-SDXRJB-S-1-86-Z-K6-102
DATE : 2007/03/02 -R(REV:A2)

Model NO. : RJLU-046TC1

Ordering Information

R J L U - 0 4 6 T C 1	
R J 4 5	Series N O .
With L E D	with U S B

Requirements :

1. Design and Construction

Product shall be of design, construction and physical dimensions specified on applicable product drawing.

A. Contact:

RJ Contact : Phosphor Bronze, Thickness=0.35mm

Finish :Contact Area : 6 μ "min. Gold over 50 μ "min. Nickel

RJ Joint Contact : Brass, Thickness=0.4mm

Finish : 80 μ "min. Sn over 50 μ "min. Nickel

USB Contact :Phosphor Bronze, Thickness=0.25mm

Finish :Contact Area : 30 μ "min. Gold over 50 μ "min. Nickel

LED Joint Contact : Brass, Thickness=0.4mm

Finish : 80 μ "min. Sn over 50 μ "min. Nickel

B. Plastic Part :

(1) Set Housing : Thermoplastic, PBT, Black

UL FILE NO. : E107536

Manufacturer : SHIKONG SYNTHETIC FIBERS CORP.

Grade : E202G30BK

Flame Class : UL 94V-0

(2) Insert : Thermoplastic, PBT, Black

UL FILE NO. : E107536

Manufacturer : SHIKONG SYNTHETIC FIBERS CORP.

Grade : E202G30BK

Flame Class : UL 94V-0



NUMBER:RD-SDXRJB-S-1-86-Z-K6-102
DATE : 2007/03/02 -R(REV:A2)

Model NO. : RJLU-046TC1

(3) Spacer : Thermoplastic, PBT, Black

UL FILE NO. : E107536

Manufacturer : SHIKONG SYNTHETIC FIBERS CORP.

Grade : E202G30BK

Flame Class : UL 94V-0

(4) USB Housing : Thermoplastic, PBT, Black

UL FILE NO. : E107536

Manufacturer : SHIKONG SYNTHETIC FIBERS CORP.

Grade : E202G30BK

Flame Class : UL 94V-0

C. Shield Material :

Cartridge t=0.25mm

10 μ "-20 μ " Thick Nickel over Brass

D. LED Lamp

(a) Lens Color : Transparent with color

(b) Emitted Color : Green & Orange & Yellow

(c) View Angle : 65°

(d) Wave Length : Green 565nm ; Orange 610nm ; Yellow 585nm

(e) Recommended operation current (IF) : 20 mA

3. Ratings

(1) Voltage rating : 125 VAC

(2) Current rating : 1.5A

Durability :

1000 cycles with no function damage for RJ-45 . Abnormalities shall be present after the test.

Low Level Contact Resistance : $\Delta R=30m\Omega$ maximum (final)

The sample should be mounted in the tester and fully mated and unmated 500 times per hour at the rate of 25mm/min. EIA-364-09C.

Model NO. : RJLU-046TC1

1. Unit weight :20.6 grams
2. package : 50 pcs / tray / 1.044 kgms
3. Carton : 400 pcs / 8 layers of tray
4. Gross weight : 8.964 kgms

Package drawing:

