

## 10/100 BASE-TX Filtered SMD Connector Module MODEL NO : RJS-002TC1

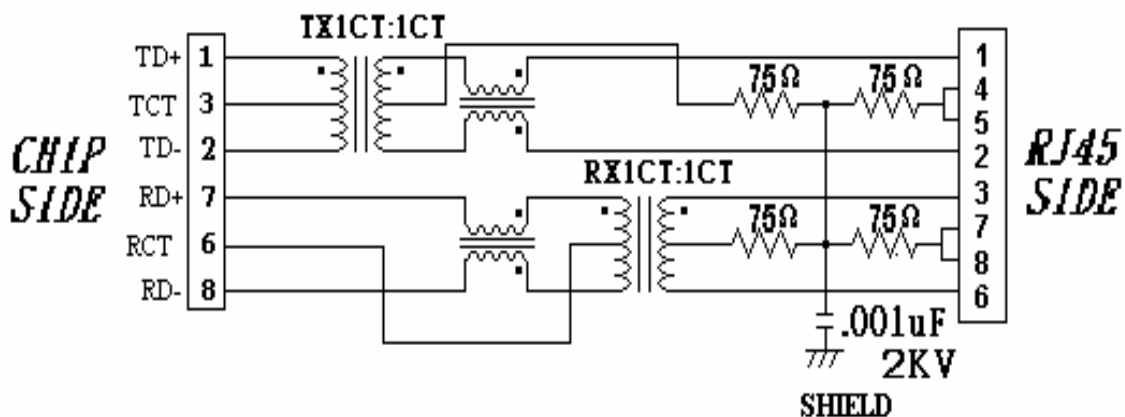
### Features:

- ⊙ RoHS Compliant
- ⊙ Fully shielded magnetics protect data from internally generated digital noise
- ⊙ Reduces the overall length of the signal path for improved common mode performance
- ⊙ Implements full common mode termination scheme with used and unused twisted pairs
- ⊙ Meets IEEE802.3 Baseline Wander Compensation specification
- ⊙ Integrates high voltage capacitor to chassis ground
- ⊙ Supports all major transceivers with matched turns ration and complete integration of specified termination
- ⊙ Design for 100base-tx transmission over UTP-5 cable
- ⊙ Operating TEMP. range: -40°C to +85°C
- ⊙ Storage TEMP. range: -55°C to +125°C
- ⊙ Primary OCL inductance: 350μH MIN. at 100KHz/0.1Vrms with 8mA DC bias

### Typical Performance Characteristics@ 25°C

Insertion Loss (dB MAX)	Return Loss (dB Min @100±15Ω)					Differential to Common Mode Rejection (dB MIN)	Cross talk (dB MIN)					CMRR (dB MIN)	Isolation Voltage (Vrms min)
	MHz	MHz			MHz		MHz						
1~100	1~30	40	50	60~80	1~100	20	40	60	80	100	1~100	1500	
-1.0	-16	-14	-12	-10	-33	-47	-40	-37	-35	-33	-30		

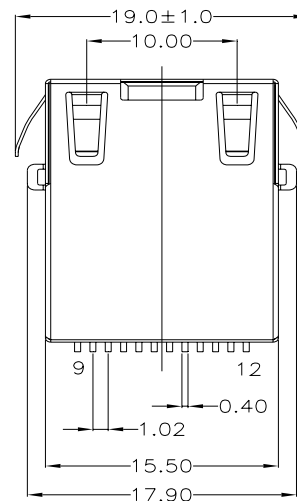
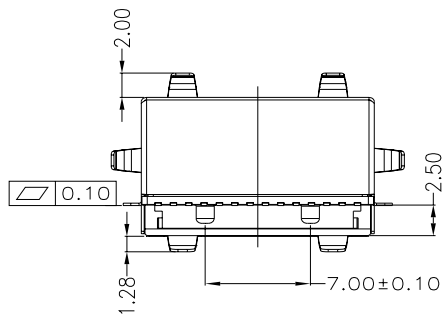
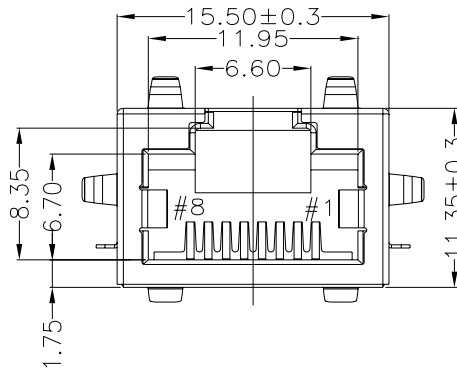
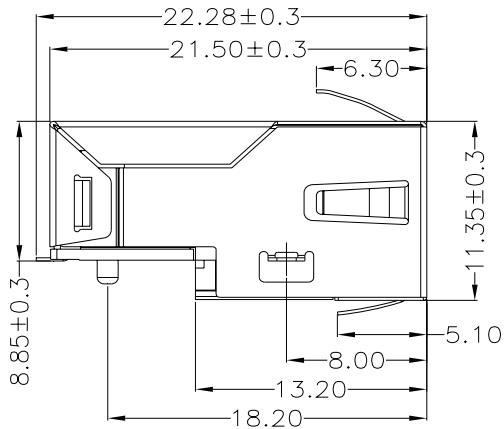
### Schematic:



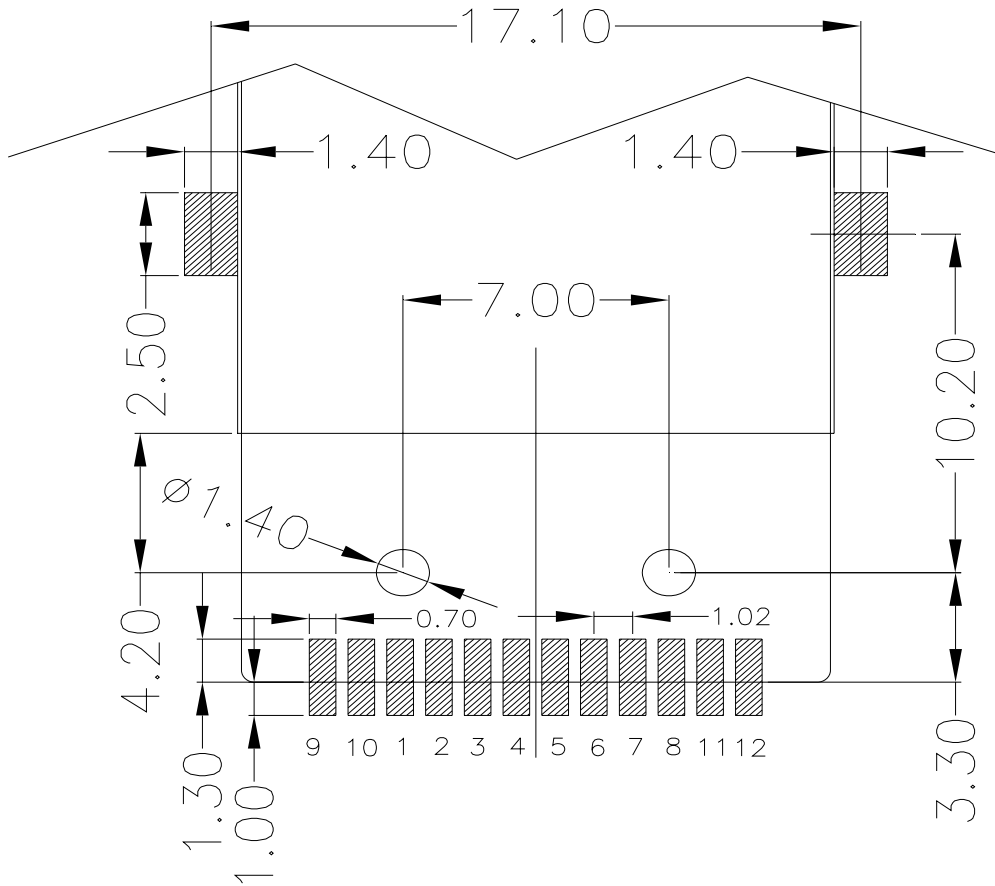
## MODEL NO : RJS-002TC1

Dimension: mm

TOLERANCE:  $\pm 0.15$  (unless otherwise specified)



## MODEL NO : RJS-002TC1



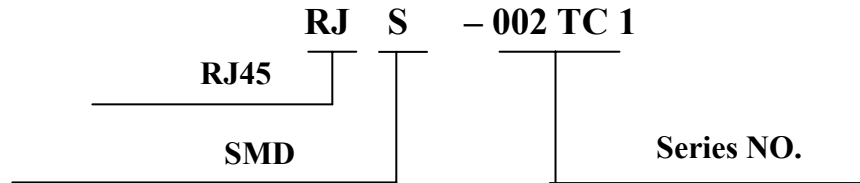
RECOMMENDED P.C.B LAYOUT  
COMPONENT SIDE OF BOARD



NUMBER:RD-SDRJS-002TC1  
DATE :2007/01/19 R (REV:A1)

**MODEL NO : RJS-002TC1**

## Ordering Information



## Requirements :

### 1. Design and Construction

Product shall be of design, construction and physical dimensions specified on applicable product drawing.

### 2. Materials and Finish

#### A. Contact:

**RJ Contact : Phosphor Bronze, Thickness=0.30mm**

**Finish : Contact Area :5 $\mu$ "min. Gold over 50  $\mu$ "min. Nickel**

**RJ Joint Contact : Brass, Thickness=0.20mm**

**Finish : 80 $\mu$ "min. Sn over 50  $\mu$ "min. Nickel**

**LED Joint Contact : Brass, Thickness=0.20mm**

**Finish : 80 $\mu$ "min. Sn over 50  $\mu$ "min. Nickel**

#### B. Plastic Part :

**(1) Set Housing : Thermoplastic, PA-9T, Black**

**UL FILE NO. : E59481**

**Manufacturer : Kuraray CO.,LTD.**

**Grade : 4830G**

**Flame Class : UL 94V-0**

**(2) Insert : Thermoplastic, PA-9T, Black**

**UL FILE NO. : E59481**

**Manufacturer : Kuraray CO.,LTD.**

**Grade : 4830G**

**Flame Class : UL 94V-0**

**(3) Spacer : Thermoplastic, PA-9T, Black**

**UL FILE NO. : E59481**

**Manufacturer : Kuraray CO.,LTD.**

**Grade : 4830G**

**Flame Class : UL 94V-0**



NUMBER:RD-SDRJS-002TC1  
DATE :2007/01/19 R (REV:A1)

---

## **MODEL NO : RJS-002TC1**

### **C. Shield Material :**

**Cartridge t=0.25mm**

**10 $\mu$ "-20 $\mu$ " Thick Nickel over Brass**

### **3. Ratings**

- (1) Voltage rating : 125 VAC**
- (2) Current rating : 1.5A**

### **Durability :**

- (1) 1000 cycles with no function damage for RJ-45 . Abnormalities shall be present after the test.**
- (2) Low Level Contact Resistance :  $\Delta R=30m\Omega$  maximum (final)**
- (3) The sample should be mounted in the tester and fully mated and unmated 500 times per hour at the rate of 25mm/min. EIA-364-09C.**

## MODEL NO : RJS-002TC1

### PACKING :

1. Unit weight : 4.5 grams
2. Tape & Reel : 150pcs / Reel , 750pcs / Carton
3. Dry Pack : 1pcs

Product Description:(5g Silica Gel Desiccant)

PH: 4-8

Package Materials: Paper(Length 6.5±1cm , Width 5±1cm)

4. Reel Packed By Vacuum
5. Seal Per Jedec

ITEM	W	A0	B0	K0	K1	P	E	F	D	D1	P0	P2
DIM	44 <sup>+0.3</sup> <sub>-0.3</sub>	8.25 <sup>+0.1</sup> <sub>-0.1</sub>	23.5 <sup>+0.1</sup> <sub>-0.1</sub>	14.6 <sup>+0.1</sup> <sub>-0.1</sub>	2.8 <sup>+0.1</sup> <sub>-0.1</sub>	24 <sup>+0.1</sup> <sub>-0.1</sub>	1.75 <sup>+0.1</sup> <sub>-0.1</sub>	20.2 <sup>+0.1</sup> <sub>-0.1</sub>	1.5 <sup>+0.1</sup> <sub>-0.0</sub>	0.0 <sup>+0.25</sup> <sub>-0.0</sub>	4.0 <sup>+0.1</sup> <sub>-0.1</sub>	2.0 <sup>+0.1</sup> <sub>-0.1</sub>

