

10/100 PC CARD LAN MAGNETICS SOLUTIONS

MODEL NO.: HD-024

FEATURE:

RoHS Compliant

Designed to meet IR requirement

Operating temp. : -40°C to +85°C

Specifications @ 25°C

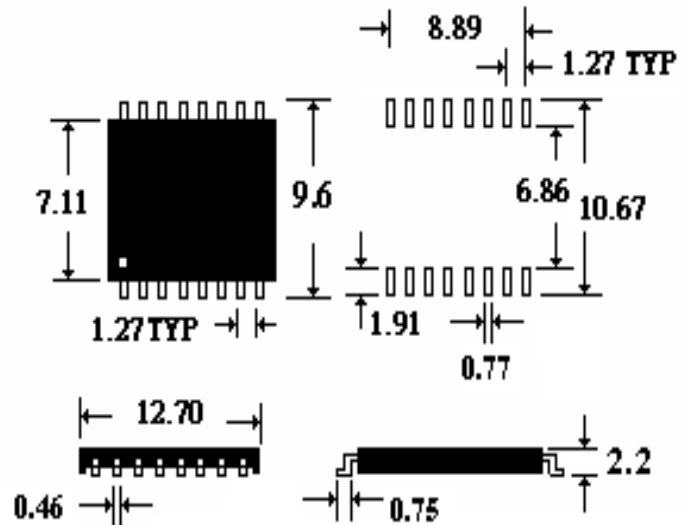
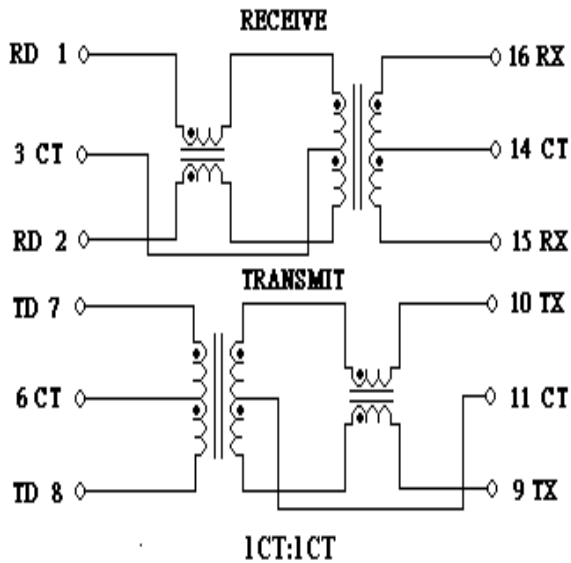
OCL : 350 uH Min @100kHz ,100mv / 8mA

MSL=2

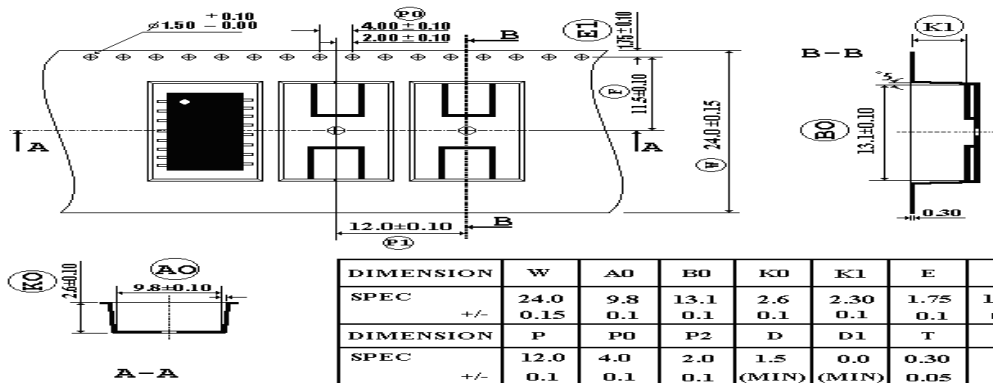
Part Number	Transformer Turns ratio (±5%)		Insertion Loss 100kHz-100MHz (dB MAX)	Return loss (dB MIN)				Cross talk (dB MIN)			Common Mode Rejection (dB MIN) 100kHz~100MHz	Hi pot
	Transmit	Receive		1-30MHz	40MHz	50MHz	60-80MHz	30MHz	62MHz	100MHz		
HD-024	1:1	1:1	-0.9	-18	-15.5	-13.5	-12.0	-50	-45	-40	-40	1500

SCHEMATICS:

DIMENSIONS: mm TOLERANCE:±0.25



Packing :



Tape & reel-----2000 /reel

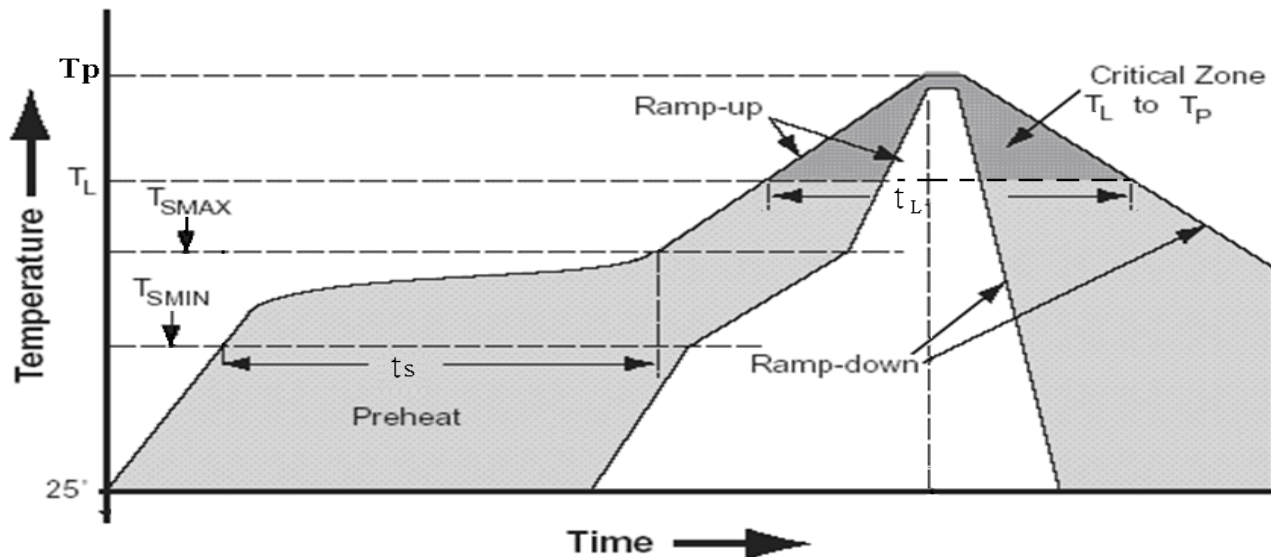
MODEL NO.: HD-024

Solder Reflow profile for Lead-Free packages.
Package Peak Reflow Temperatures

Classification Reflow Profiles

Profile Feature	Lead-Free Assembly	
Average ramp-up rate(T_L to T_P)	3 °C / Sec	
Preheat Temperature Min.(T_s min.) Temperature Max.(T_s max.) Time (min to max) (t_s)	150 °C 200 °C 60-180 sec	
T_s max. to T_L Ramp-up Rate	3°C / Second Max.	
Time maintained above Temperature (T_L) Time (t_L)	217 °C 60-150 sec	
Peak Temperature (T_p) Time within 5 °C of actual peak Temp.	260 +0 / -5 °C 3 to 5 Sec	250 +0 / -5 °C 20 to 40 Sec
Ramp-down	6°C / Second Max.	
Time 25 °C to Peak Temperature	8 minutes Max.	

Profile



MODEL NO.: HD-024

PACKING

- | |
|---|
| 1. Tape & Reel: 2000 pcs / Reel, 10000 pcs / Carton |
| 2. Dry Pack: 1 pc.
Product Description: 5g Silica Gel Desiccant
PH: 4-8
Package Materials: Paper (Length 6.5±1cm, Width 5±1cm) |
| 3. Reel: Vacuum Packed |
| 4. Seal as per JEDEC |

