

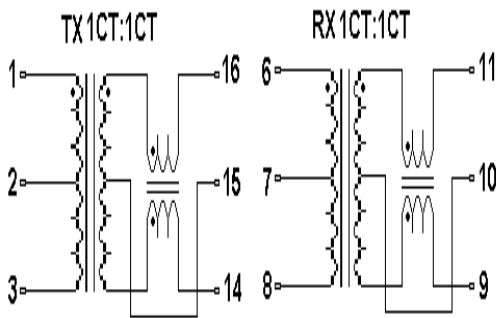
10/100 PC CARD LAN MAGNETICS SOLUTIONS MODEL NO : HD-040

FEATURE:

- RoHS Compliant
- RoHS peak solder rating 260°C 3~5 sec
- Meets IEEE802.3 specification
- Designed to meet IR requirement
- Specifications @ 25°C
- Operating temp. : -40°C ~ +85°C
- OCL : 350uH Min @100KHz , 100mV / 8Ma
- MSL=2

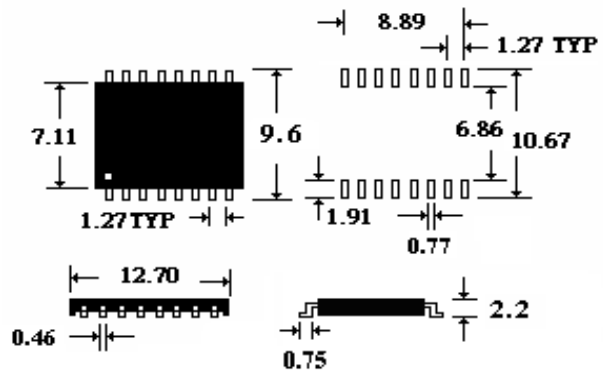
Part Number	Turns Ratio (±5%)		Insertion Loss (dB MIN)	Return Loss (dB MIN)				Common Mode Rejection (dB MIN)			Cross Talk (dB MIN)	HIPOT (VAC)
	TX	RX		1~30 MHz	40 MHz	50 MHz	60~80 MHz	30 MHz	50 MHz	100 MHz		
HD-040	1CT:1CT	1CT:1CT	0.1~100 MHz	1~30 MHz	40 MHz	50 MHz	60~80 MHz	30 MHz	50 MHz	100 MHz	60~100 MHz	1500
			-1.1	-18	-15.5	-13.5	-10	-42	-37	-33	-38	

SCHEMATICS:

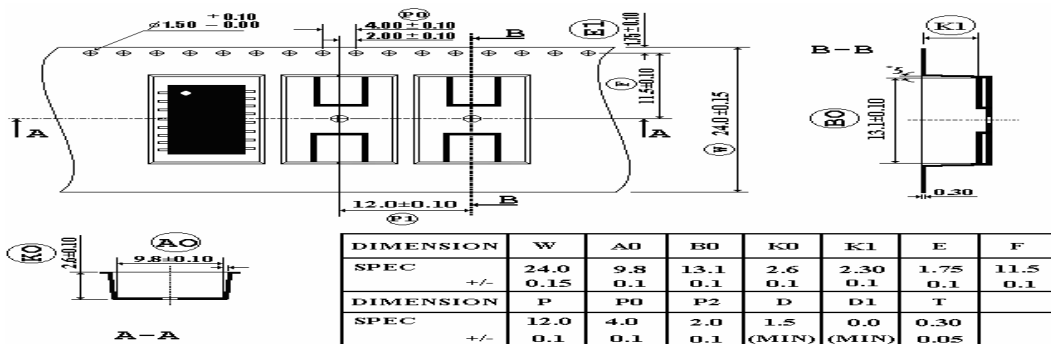


DIMENSION: mm

TOLERANCE: ±0.25



Packing :



Tape & reel-----2000/reel

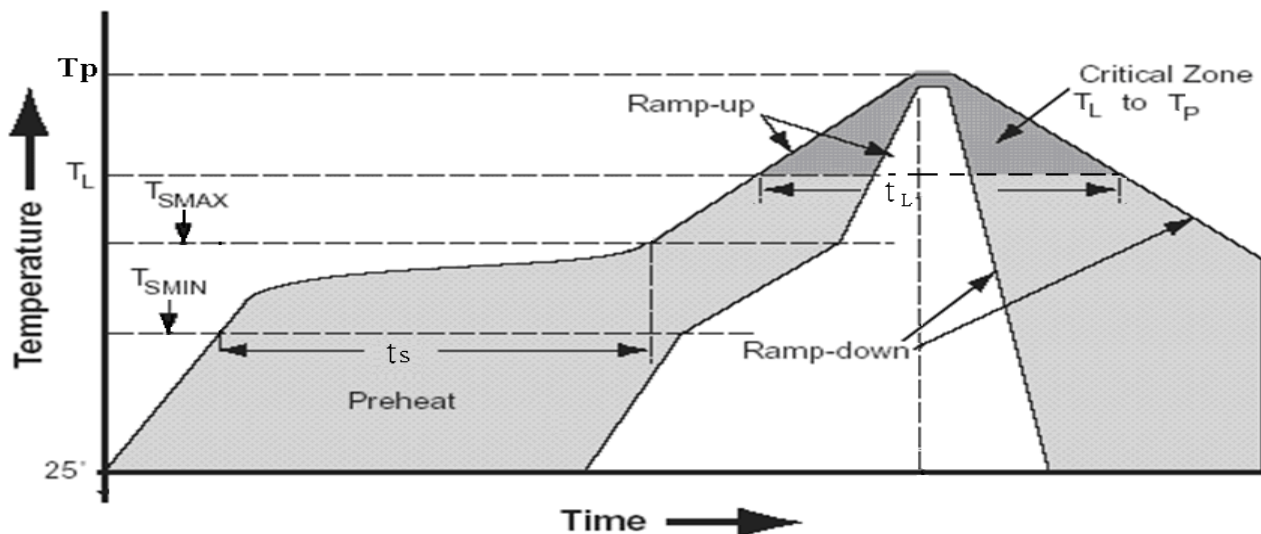
MODEL NO : HD-040

Solder Reflow profile for Lead-Free packages Package Peak Reflow Temperatures

Classification Reflow Profiles

Profile Feature	Lead-Free Assembly	
Average ramp-up rate(T_L to T_P)	3°C / Second Max.	
Preheat Temperature Min.(T_s min.) Temperature Max.(T_s max.) Time (min to max) (t_s)	150 °C 200 °C 60-180 sec	
T_s max. to T_L Ramp-up Rate	3°C / Second Max.	
Time maintained above Temperature (T_L) Time (t_L)	217 °C 60-150 sec	
Peak Tempure (T_p) Time within 5 °C of actual peak Temp.	260 +0 / -5 °C 3 to 5 Sec	250 +0 / -5 °C 20 to 40 Sec
Ramp-down	6°C / Second Max.	
Time 25 °C to Peak Temperature	8 minutees Max.	

Profile



MODEL NO : HD-040

PACKING	
1.	Tape & Reel: 2000 pcs / Reel, 10000 pcs / Carton
2.	Dry Pack: 1 pc. Product Description: 5g Silica Gel Desiccant PH: 4-8 Package Materials: Paper (Length 6.5±1cm , Width 5±1cm)
3.	Reel: Vacuum Packed
4.	Seal as per JEDEC

