



NO: RD-HD-SD046
DATE: 2005/09/20 I (REV:A2)

10/100 PC CARD LAN MAGNETICS SOLUTIONS

MODEL NO.: HD-046

FEATURE:

RoHS Compliant

RoHS peak solder rating 260

Designed to meet IR requirement

Specifications : AT 25

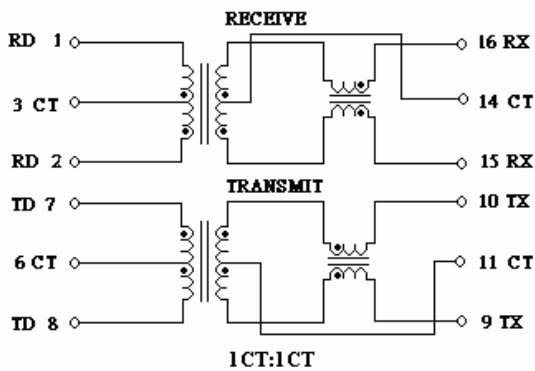
Operating temp. : -40 ~ +85

OCL : 350uH Min @100Khz , 100mV 8mA

Cw/w : 25 pF MAX

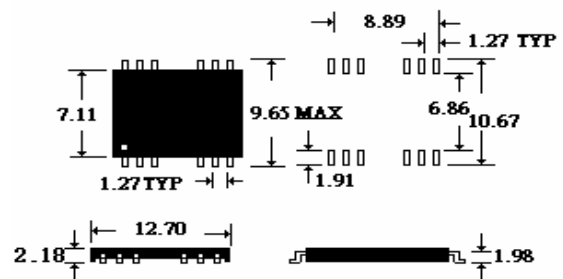
Part Number	Transformer Turns ratio (±5 %)		Insertion Loss 100KHz-125MHz (dB MAX)	Return loss (dB MIN)				Cross talk (dB MAX)			Common Mode Rejection (dB MAX) 100kHz~100MHz	Hi pot
	Transmit	Receive		1-30MHz	40MHz	50MHz	60-80MHz	30MHz	62MHz	100MHz		
HD-046	1:1	1:1	-1.0	-18	-14	-13	-11	-50	-45	-40	-40	1500

SCHEMATICS:

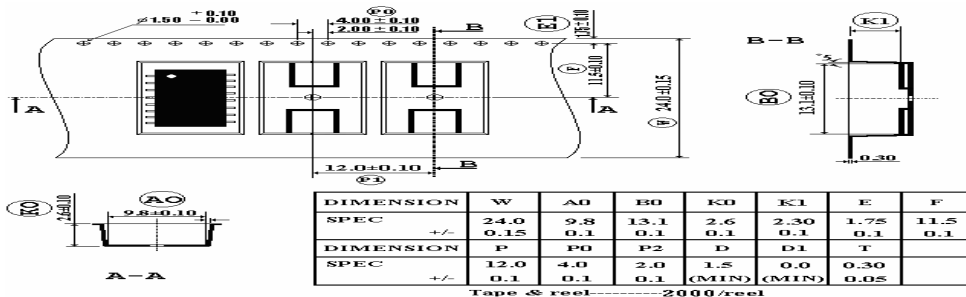


DIMENSIONS: mm

TOLERANCE:±0.25



Packing :

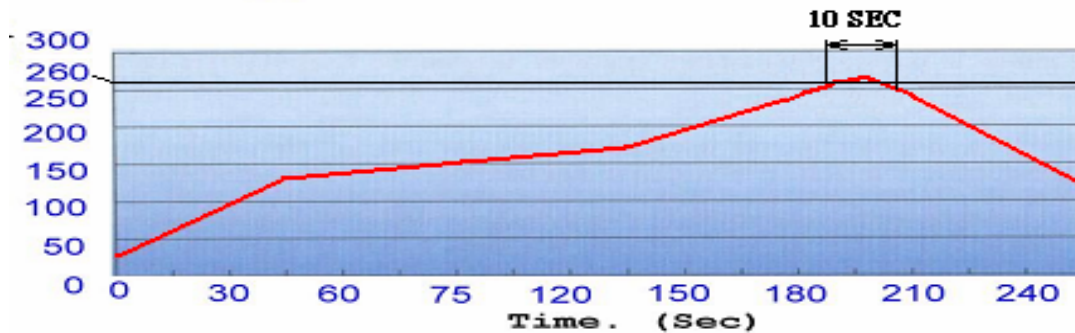




NO: RD-HD-SD046
DATE: 2005/09/20 I (REV:A2)

MODEL NO.: HD-046

Profile of IR Reflow (Lead Free)



PACKING	
1.	Tape & Reel: 2000 pcs / Reel, 10000 pcs / Carton
2.	Dry Pack: 1 pc. Product Description: 5g Silica Gel Desiccant PH: 4-8 Package Materials: Paper (Length 6.5±1cm, Width 5±1cm)
3.	Reel: Vacuum Packed
4.	Seal as per JEDEC

