



NO:RD-Pulse H1164
Date:2005/09/14-I(REV:A2)

10/100 BASE-TX TRANSFORMERS FOR AUTO MDI/MDIX APPLICATIONS MODEL NO.: HK-032

FEATURE:

RoHS Compliant

RoHS peak solder rating 260

Designed to meet IR requirement

Specifications :At 25

Operating Temp. : -40 to + 85

URNS RATIO RX : 1 : 1

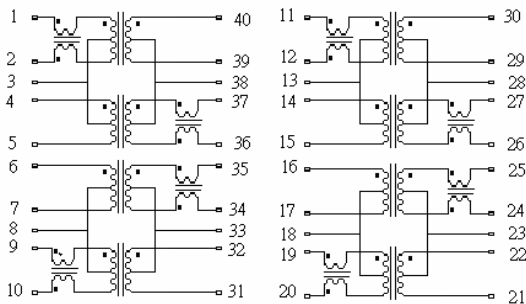
URNS RATIO TX : 1 : 1

OCL : 350 uH 8mA

HIPOT : 1500VAC.

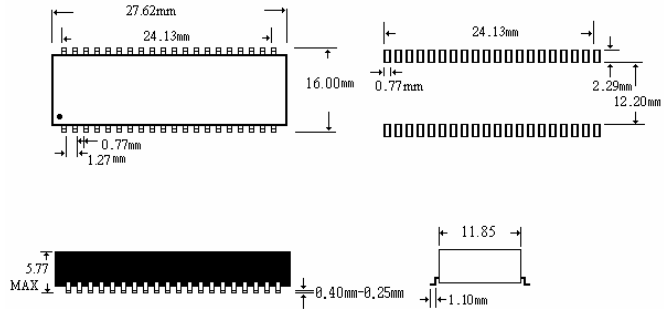
Parts Number	Insertion Loss (dB MAX) 0.1-100MHz	Return Loss (dB MIN)				Cross talk (dB MIN)				Differential to Common Mode Rejection (dB MIN)	
		2~30MHz	40MHz	50MHz	60~80MHz	1MH	30MHz	60MHz	100MHz	1~60MHz	60~200MHz
HK-032	-1.0	-18	-14.4	-13.1	-12	-55	-45	-40	-33	-37	-25

SCHEMATIC:

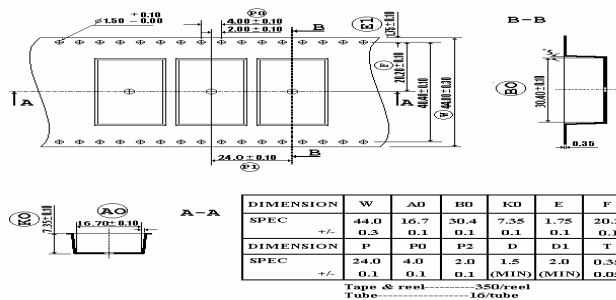


DIMENSION: mm

TOLERANCE:±0.25

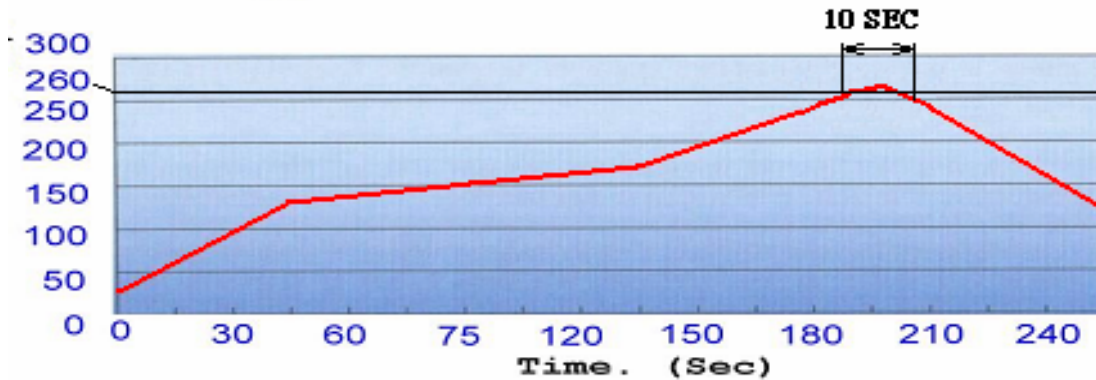


Packing:



MODEL NO.: HK-032

Profile of IR Reflow (Lead Free)



PACKING	
1.	Tape & Reel : 350pcs / Reel , 1750pcs / Carton
2.	Dry Pack : 1pcs Product Description:(5g Silica Gel Desiccant) PH: 4-8 Package Materials: Paper(Length 6.5±1cm , Width 5±1cm)
3.	Reel Packed By Vacuum
4.	Seal Per Jedec

