



Number:RD-Pulse H1164
 DATA:2005/09/15-I (REV:A1)

10/100BASE-TX TRANSFORMER MODULES

MODEL NO.: HK-052

FEATURE:

RoHS Compliant

RoHS peak solder rating 260°C

SPECIFICATIONS:AT 25°C

URNS RATIO TX : 1 : 1

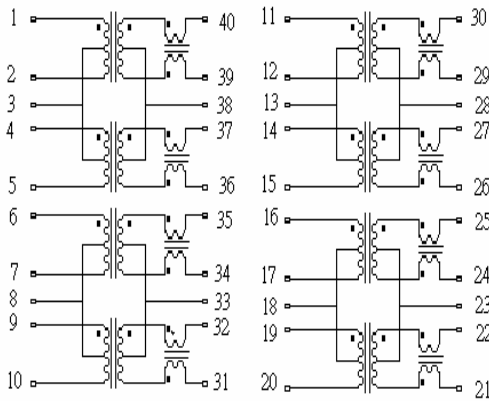
URNS RATIO RX : 1 : 1

OCL : 350 uH @8mA bias

HIPOT : 1500VAC.

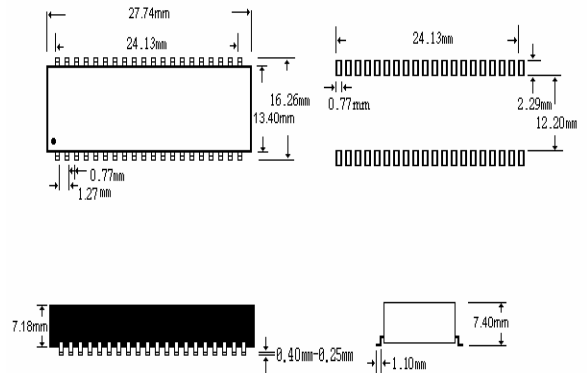
Parts Number	Insertion Loss (dB MAX) 0.1-100MHz	Return Loss (dB MIN)				Cross talk (dB MIN)				Differential to Common Mode Rejection (dB MIN)	
		2~30MHz	40MHz	50MHz	60~80MHz	1MH	30MHz	60MHz	100MHZ	1~60MHz	60~200MHz
HK-052	-1.0	-18	-14.4	-13.1	-12	-55	-45	-40	-33	-37	-25

SCHEMATICS:

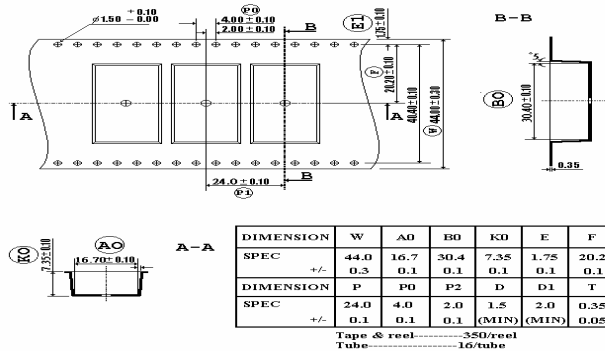


DIMENSION: mm

TOLERANCE: ±0.25

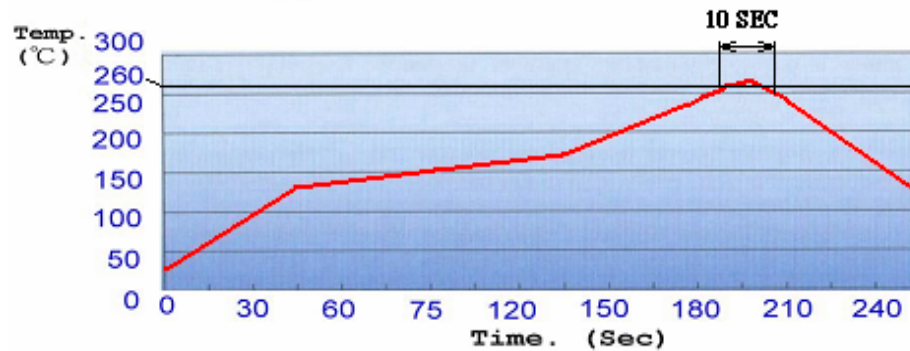


Packing :



MODEL NO.: HK-052

Profile of IR Reflow (Lead Free)



PACKING

1. Tape & Reel : 350pcs / Reel , 1750pcs / Carton
2. Dry Pack : 1pcs
Product Description:(5g Silica Gel Desiccant)
PH: 4-8
Package Materials: Paper(Length 6.5±1cm , Width 5±1cm)
3. Reel Packed By Vacuum
4. Seal Per Jedec

