

10/100 BASE-TX TRANSFORMERS FOR AUTO MDI/MDIX APPLICATIONS MODEL NO.: HK-065D

FEATURE:

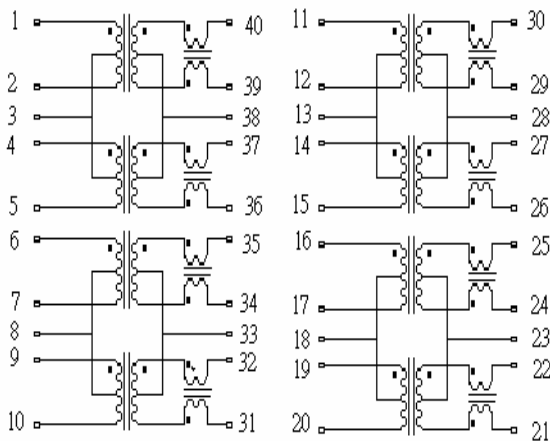
RoHS Compliant

SPECIFICATIONS: AT 25°C

TURNS RATIO RX : 1 : 1
 TURNS RATIO TX : 1 : 1
 OCL : 350 uH 8mA
 LL : 0.6 uH MAX
 Cw/w : 56 pF MAX
 Rise Time : 3.0 ns MAX
 HIPOT : 1500Vrms

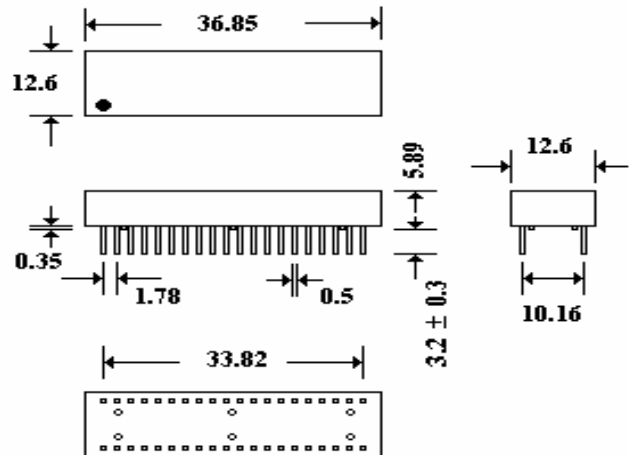
Parts Number	Insertion Loss (dB MAX) 0.1-100MHz	Return Loss (dB MIN)				Cross talk (dB MIN)				Differential to Common Mode Rejection (dB MIN)	
		2~30	40	50	60~80MHz	0.1	30	60	100MHZ	1~60MHz	60~200MHz
HK-065D	-1.0	-18	-14.5	-13.5	-12	-65	-50	-40	-33	-37	-25

SCHEMATICS:



DIMENSION: mm

TOLERANCE:(±0.25)



MODEL NO.: HK-065D

PACKING:

1. Tape: 14 pcs. per tube; 1400 pcs per carton

