



DATE :2019/08/16 (REV:A4)

10/100 BASE Filtered SMD Connector Module For PoE MODEL NO : RJPSL-001YA1

FEATURE :

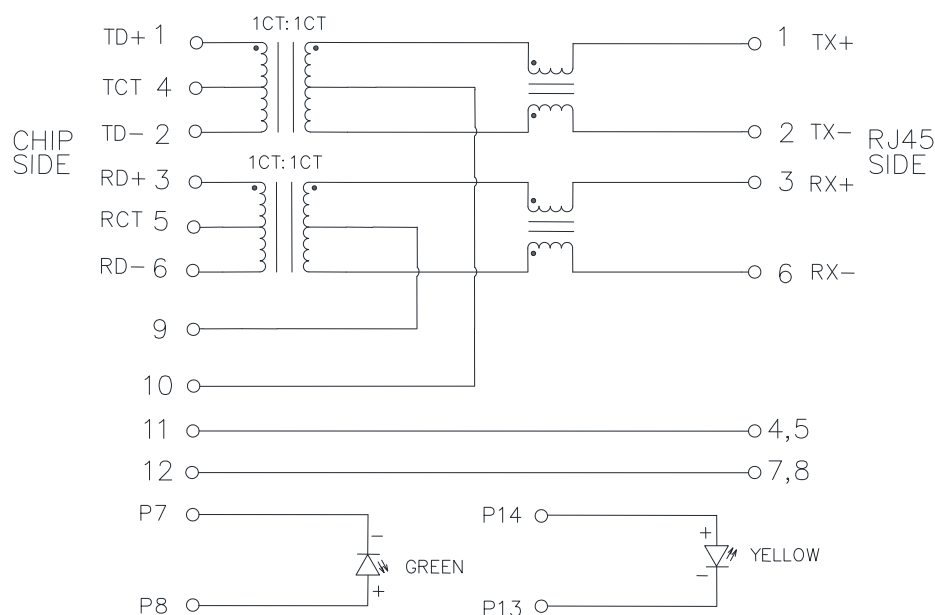
- ⊙ RoHS Compliant
- ⊙ Fully shielded magnetic protect data from internally generated digital noise
- ⊙ Reduces the overall length of the signal path for improved common mode performance
- ⊙ Implements full common mode termination scheme with used and unused twisted pairs
- ⊙ Meets IEEE802.3 Baseline Wander Compensation specification
- ⊙ Integrates high voltage capacitor to chassis ground
- ⊙ Supports all major transceivers with matched turns ration and complete integration of specified termination
- ⊙ Design for 100base-tx transmission over UTP-5 cable
- ⊙ Operating TEMP. range: 0°C to +70°C
- ⊙ Storage TEMP. range: -40°C to + 85°C
- ⊙ Primary OCL inductance: 350μH MIN. at 100KHz/0.1Vrms with 8mA DC bias

SPECIFICATIONS:

Typical Performance Characteristics@ 25°C

Insertion Loss MHz (dB MAX)	Return Loss MHz (dB Min)			Differential to Common Mode Rejection MHz (dB MIN)	Cross talk MHz (dB MIN)	CMRR MHz (dB MIN)	Isolation Voltage (Vrms min)
	1~30	30~60	60~80				
1~100	1~30	30~60	60~80	1~100	1~100	1~100	1500
-1.2	-16	-12	-10	-30	-30	-30	

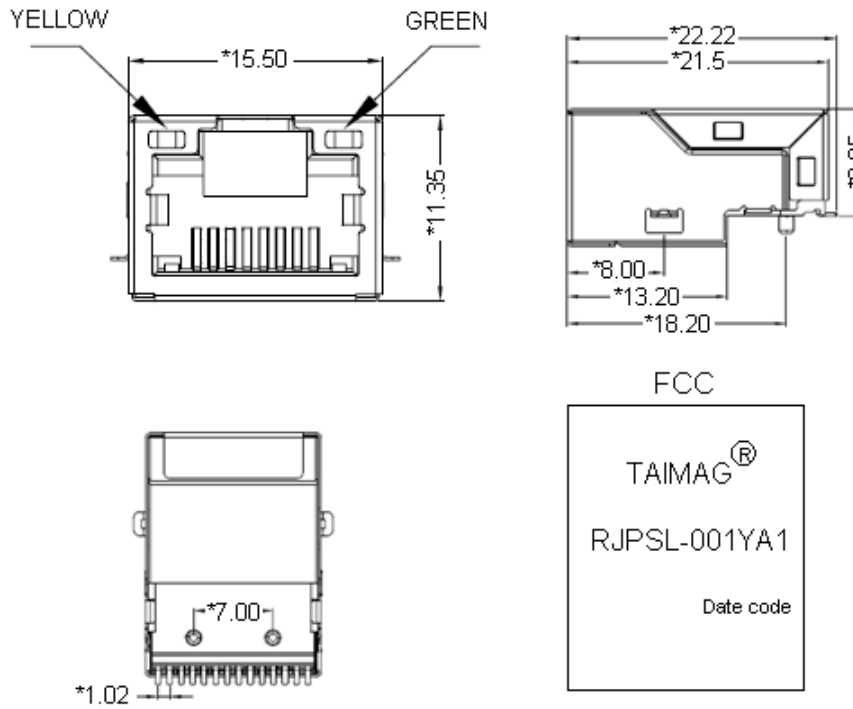
SCHEMATIC:



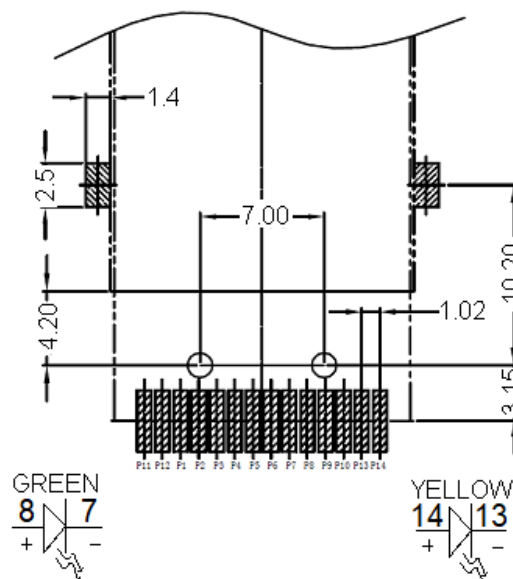
MODEL NO : RJPSL-001YA1

DIMENSION & MARKING: mm; TOLERANCE: ± 0.254 (unless otherwise specified)

All critical dimensions with “*”



PCB LAYOUT: mm; TOLERANCE: ± 0.10



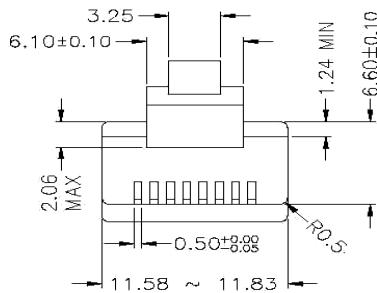
MODEL NO : RJPSL-001YA1

MATERIAL REQUIREMENTS:

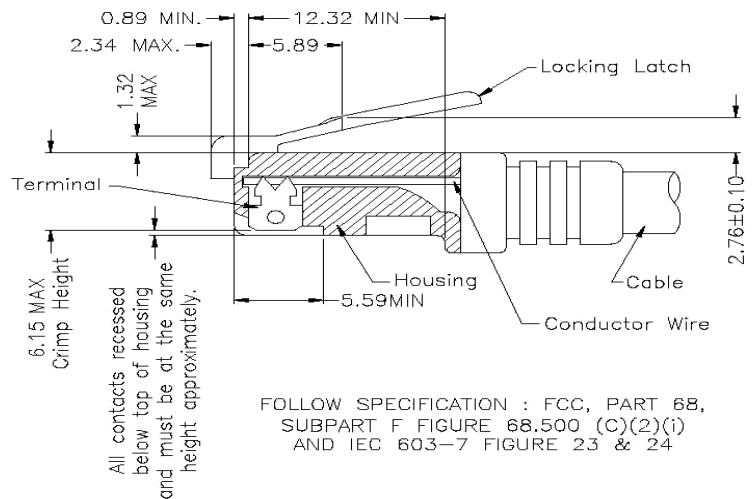
1. Connector Material :
 - Housing : LCP Black UL94V-0
 - Inserter : LCP Black UL94V-0
 - Shield : Brass
 - Shield Plating : Nickel
 - Contact : Cooper Alloy
 - Contact Plating : Selective gold , 6 micro-inches min in contact area
2. Pin not electrically connected maybe omitted see electrical drawing for omitted pins
3. RJ45 cavities conform to FCC rules and regulation PART 68
4. The part is recommended for IR reflow process peak soldering temperature is 265°C max , 40S max
5. LED:

LED Specification			
Standard LED	Wavelength	Forward V (max)	TYP
Green	565nm	2.4V	2.2V
Yellow	630nm	2.6V	2.2V

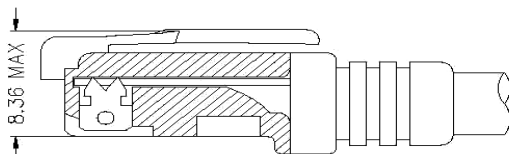
RJ PLUG SPECIFICATION :



- * There must be no damage to housing or locking latch. There must be no nicks or cuts in cable.
- * Durability : 750 cycles generally



FOLLOW SPECIFICATION : FCC, PART 68, SUBPART F FIGURE 68.500 (C)(2)(i) AND IEC 603-7 FIGURE 23 & 24



FOLLOW SPECIFICATION : FCC, PART 68, SUBPART F FIGURE 68.500 (C)(2)(ii)

STANDARD MODULAR PLUG ASSEMBLY



DATE :2019/08/16 (REV:A4)

MODEL NO : RJPSL-001YA1

PACKING:

1. package : 150 pcs / reel
2. Carton : 750 pcs

ORDER INFORMATION:

