

Single 10/100 BASE-TX Filtered Connector Integrated LED Support Auto MDIX MODEL NO. : TJLC-001YA1

Features :

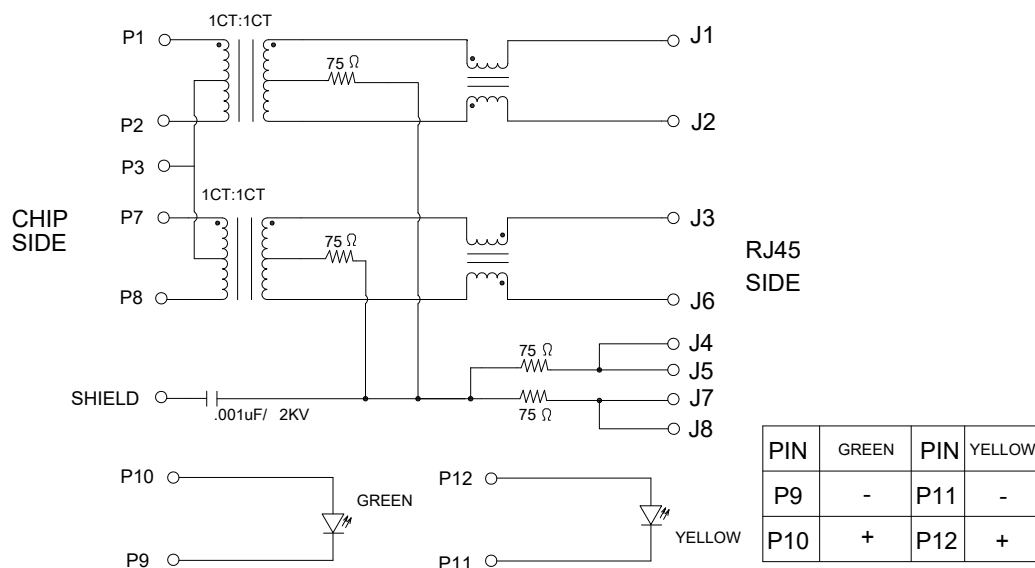
- ⊙ ROHS Compliant
- ⊙ Fully shielded magnetic protect data from internally generated digital noise
- ⊙ Reduces the overall length of the signal path for improved common mode performance
- ⊙ Implements full common mode termination scheme with used and unused twisted pairs
- ⊙ Meets IEEE802.3 Baseline Wander Compensation specification
- ⊙ Integrates high voltage capacitor to chassis ground
- ⊙ Supports all major transceivers with matched turns ration and complete integration of specified termination
- ⊙ Design for 100base-tx transmission over UTP-5 cable
- ⊙ Operating TEMP. range: -40°C to +85°C
- ⊙ Storage TEMP. range: -40°C to + 85°C
- ⊙ Primary OCL inductance: 350μH MIN. at 100KHz/0.1Vrms with 8mA DC bias

Specifications:

Typical Performance Characteristics @25°C

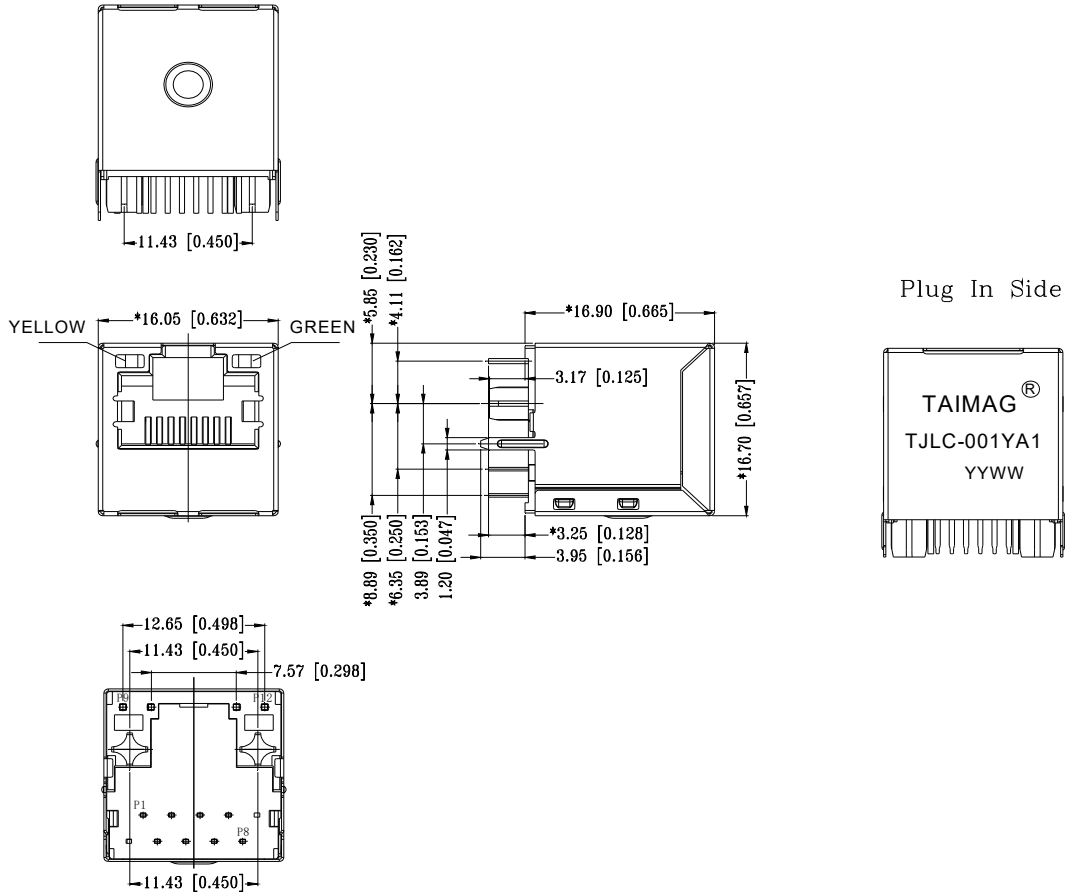
Insertion Loss MHz (dB MAX)	Return Loss MHz (dB Min @100Ω)			Differential to Common Mode Rejection MHz (dB MIN)	Cross talk MHz (dB MIN)	CMRR MHz (dB MIN)	Isolation Voltage (VDC)
	1~30	30~60	60~80				
1~100	1~30	30~60	60~80	1~100	1~100	1~100	2250
-1.2	-16	-12	-10	-30	-30	-30	

Schmatic:

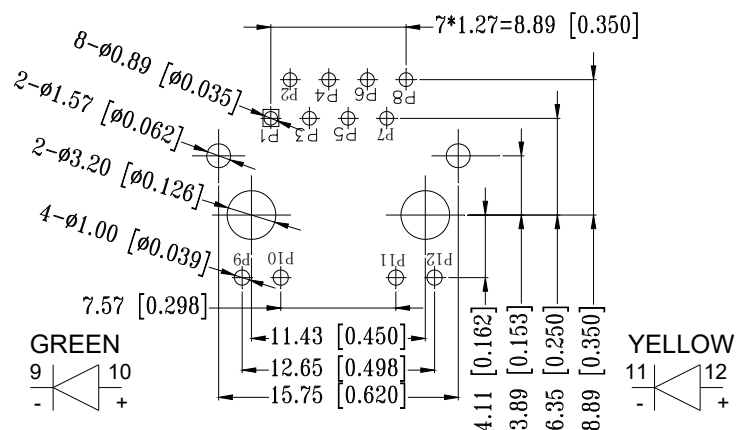


MODEL NO. : TJLC-001YA1

Dimension & Marking: mm ; TOLERANCE: ± 0.25 / 0.010 (unless otherwise specified)



PCB Layout: mm ; TOLERANCE: ± 0.10



MODEL NO. : TJLC-001YA1

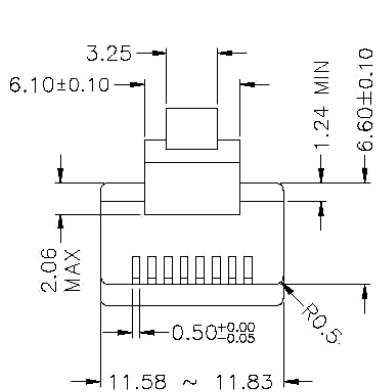
Material Requirements:

- Connector Material :
 - Housing : LCP Black UL94V-0
 - Shield : Brass
 - Shield Plating : Nickel
 - Contact : Cooper Alloy
 - Contact Plating : Selective gold , 6 micro-inches min in contact area
- Pin not electrically connected maybe omitted see electrical drawing for omitted pins
- RJ45 cavities conform to FCC rules and regulation PART 68
- The part is recommended for wave soldering process peak soldering temperature is 260°C max , 10S max

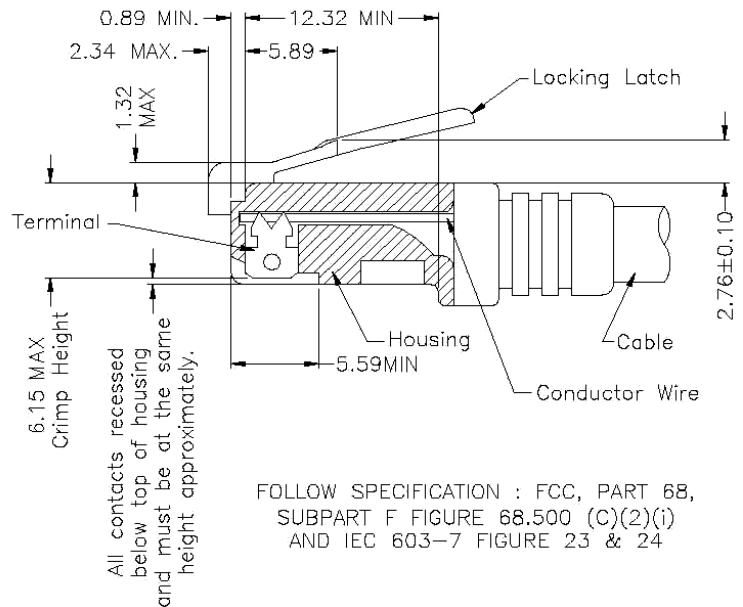
5. LED:

LED Specification			
Standard LED	Wavelength	Forward V (max)	TYP
Green	565nm	2.4V	2.2V
Yellow	590nm	2.5V	2.1V

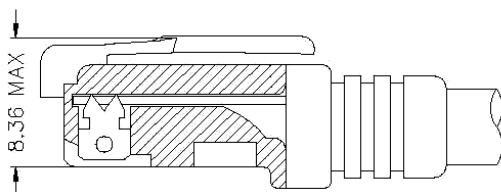
RJ Plug Specification :



- * There must be no damage to housing or locking latch. There must be no nicks or cuts in cable.
- * Durability : 750 cycles generally



FOLLOW SPECIFICATION : FCC, PART 68, SUBPART F FIGURE 68.500 (C)(2)(i) AND IEC 603-7 FIGURE 23 & 24



STANDARD MODULAR PLUG ASSEMBLY

FOLLOW SPECIFICATION : FCC, PART 68, SUBPART F FIGURE 68.500 (C)(2)(ii)

MODEL NO. : TJLC-001YA1

Packing:

1. Package : 50 pcs / tray
2. Carton : 1200 pcs / 24 trays

Order Information:

