

10/100 BASE TRANSFORMERS FOR AUTO MDI/MDIX APPLICATIONS

MODEL NO : HD-055

FEATURE:

RoHS Compliant

RoHS peak solder rating 260°C / 3~5 Sec

Do not use material and use that the prohibition that SS-00259 stipulates

Designed to meet IR requirement

Operating temp. : -40°C TO +85°C

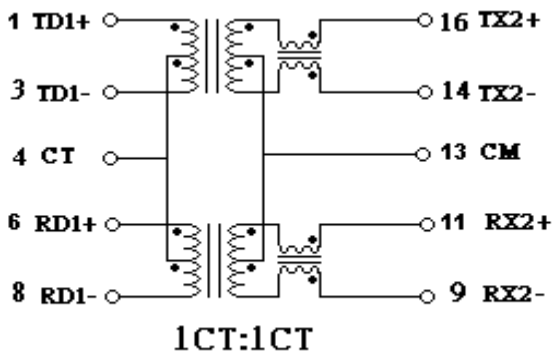
Specifications @ 25°C

OCL : 350 uH Min @100kHz ,100mv / 8mA

MSL=2

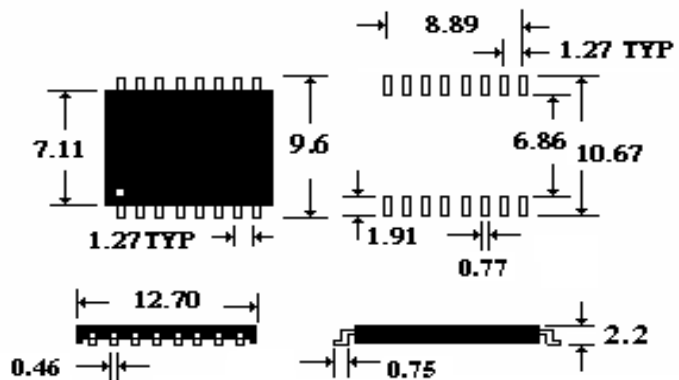
Parts no.	Insertion Loss (dB max) 1~125MHz	Rise Time (ns typical)	Return Loss (dB typical)		CMRR (dB min)		Cross talk (dB min)		Isolation Voltage (Vrms min)
			MHz		MHz		MHz		
			1~60	60~100	0.1~60	60~100	0.1~60	60~100	
HD-055	-1.1	2.5	-18TX /-17RX	-13TX /-15RX	-42TX /-40RX	-40TX /-35RX	-40	-38	1500

SCHEMATICS:

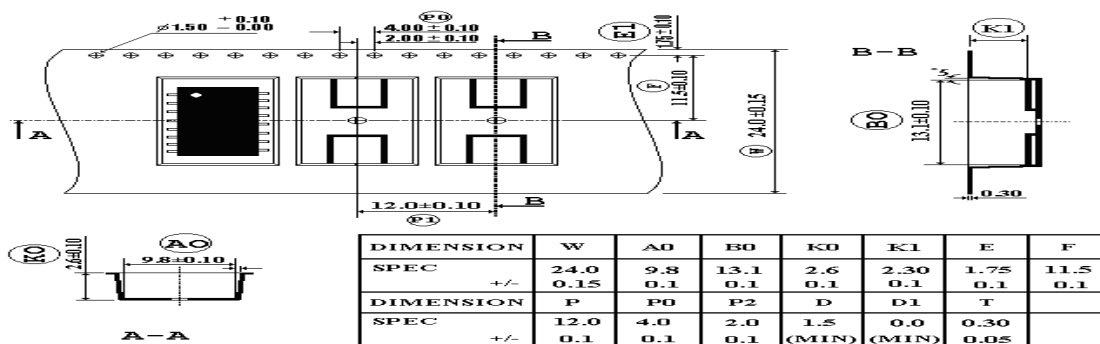


DIMENSION : mm

TOLERANCE:±0.25



Packing :



Tape & reel-----2000 /reel

MODEL NO : HD-055

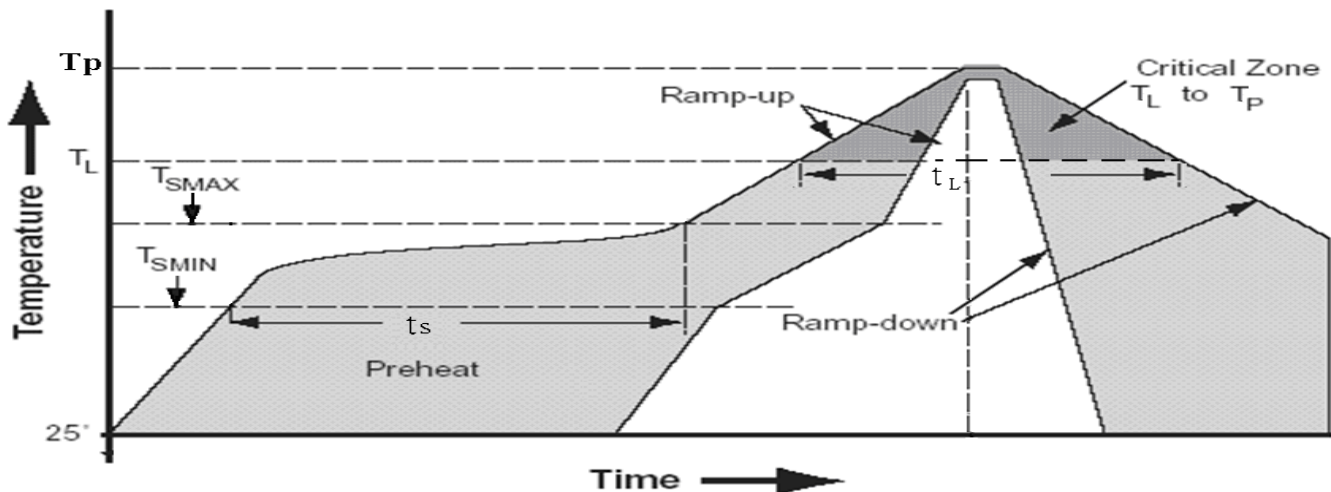
Solder Reflow Profile for Lead-Free packages.

Package Peak Reflow Temperatures

Classification Reflow Profiles

Profile Feature	Lead-Free Assembly	
Average ramp-up rate(T_L to T_P)	3°C / Second Max.	
Preheat Temperature Min.(T_s min.) Temperature Max.(T_s max.) Time (min to max) (t_s)	150 °C 200 °C 60-180 sec	
T_s max. to T_L Ramp-up Rate	3°C / Second Max.	
Time maintained above Temperature (T_L) Time (t_L)	217 °C 60-150 sec	
Peak Temperature (T_p)	260 +0 / -5 °C	250 +0 / -5 °C
Time within 5 °C of actual peak Temp.	3 to 5 Sec	20 to 40 Sec
Ramp-down	6°C / Second Max.	
Time 25 °C to Peak Temperature	8 minutes Max.	

Profile



MODEL NO.: HD-055

PACKING

1. Tape & Reel: 2000 pcs / Reel, 10000 pcs / Carton

2. Dry Pack: 1 pc.

Product Description: 5g Silica Gel Desiccant

PH: 4-8

Package Materials: Paper (Length 6.5±1cm, Width 5±1cm)

3. Reel: Vacuum Packed

4. Seal as per JEDEC

