



CTS-CS-PAX-12-XXXX

Current Sensor Module

Features

- Low Hysteresis
- High Permeability
- Unipolar 5 V DC Power Supply
- Open Loop Hall-Effect Measurement
- Primary Current Range up to $\pm 1000 A_{PK}$
- Temperature Range: -40 to 125 °C
- Fully Ratio-Metric

Advantages

- Excellent Accuracy
- High Linearity
- Excellent Output Linearity
- Low Thermal Offset Drift <5 mV (T-0)
- Low Thermal Sensitivity Drift <1 % (T-0)
- High Bandwidth (>30 kHz)
- Non-Intrusive Sensing (no losses)
- Small Size, Lightweight

Applications

- Inverters
- DC Link
- DC/DC Converters

Description

The CTS-CS-PAX-12-XXXX is an analog open loop current sensor module designed for non-intrusive and galvanically isolated measurement of AC and DC currents. Thanks to its design CTS-CS-PAX-12-XXXX can be used in high power applications such as automotive inverters or DC/DC converters.





Ordering Information

Product	Option Code	Typical Sensitivity	Current Range
CTS-CS-PAX-12-0250	0250	8.00 mV/A	±250 A _{PK}
CTS-CS-PAX-12-0500	0500	4.00 mV/A	±500 A _{PK}
CTS-CS-PAX-12-0750	0750	2.67 mV/A	±750 A _{PK}
CTS-CS-PAX-12-1000	1000	2.00 mV/A	±1000 A _{PK}

Option Codes ⇒ Current Range. Current Range defines the peak current value.

CTS-CS-PAX-12-XXXX (Option Code).

Contact CTS for custom current ranges/sensitivity.

Absolute Maximum Ratings (unpowered)

Parameter	Symbol	Value	Unit	Condition
Positive Supply Voltage	V _{DD}	+10	V	
Reverse Supply Voltage	V _{DD_REV}	-0.3	V	
Positive Output Voltage	V _{OUT}	+10	V	
Reverse Output Voltage	V _{OUT_REV}	-0.3	V	
Output Current	I _{OUT}	+70	mA	
Reverse Output Current	I _{OUT_REV}	-50	mA	
Operating Ambient Temperature	T _A	-40 to 125	°C	
Storage Temperature	T _S	-40 to 125	°C	
ESD Human Body Model	U _{ESD-HBM}	2	kV	JESD 22-A 114-B Class 2
RMS Voltage, AC insulation test	U _{INS}	2.5	kV	IEC 60664-1
Clearance distance	D _{CL}	≥ 5.5	mm	
Creepage distance	D _{CP}	≥ 8.0	mm	
Comparative Tracking Index	CTI	≥ 600	/	

IMPORTANT: exceeding the absolute maximum ratings may cause permanent damage to the sensor module. Exposure to absolute maximum-rated conditions for extended periods of time may affect sensor module reliability.



Nominal Operating Ratings (powered)

Operating Parameters $T_A = -40$ to 150°C , $V_{DD} = 5\text{V} \pm 10\%$, unless otherwise specified.

Parameter	Symbol	Condition	Min.	Typ.	Max.	Unit
Supply Voltage	V_{DD}	-	4.5	5	5.5	V
Supply Current	I_{DD}	No output load		12.5	15.0	mA
Output Resistive Load	R_L	For high linearity	10	25	200	k Ω
Output Capacitor Load	C_L	-	1	4.7	10	nF
Linear Output Range	V_{OUTLIN}	$R_L \geq 10\text{k}\Omega$	10	-	90	% V_{DD}
Output Quiescent Voltage	V_{OQ}	$R_L \geq 10\text{k}\Omega$, $V_{DD} = 5\text{V}$	-	50	-	% V_{DD}
Diagnostic Band	DIAG	$10\text{k}\Omega \leq R_L \leq 200$ $V_{DD} = 5\text{V}$	0	-	4	% V_{DD}
Under-Voltage Detection	V_{DD_UVL}	Detected Voltage	4.0	-	4.5	V
	V_{DD_UVH}	Hysteresis	0.01	-	0.2	V
Over-Voltage Detection	V_{DD_OVL}	Detected Voltage	6.7	-	7.4	V
	V_{DD_OVH}	Hysteresis	0.37	-	0.66	V
Broken GND Output Level	-	$R_L \geq 10\text{k}\Omega$, $V_{DD} = 5\text{V}$	96	-	100	% V_{DD}
Broken VDD Output Level	-	$R_L \geq 10\text{k}\Omega$, $V_{DD} = 5\text{V}$	0	-	4	% V_{DD}



Current Ranges

Operating Parameters $T_A = 25^\circ\text{C}$, $V_{DD} = 5\text{V} \pm 10\%$, unless otherwise specified.

CTS-CS-PAX-12-0250

Parameter	Symbol	Condition	Min.	Typ.	Max.	Unit
Primary Current Range	I_P	-	-250		250	A
Sensitivity	S	$V_{DD} = 5\text{V}$		8.00		mV/A
Output Quiescent Voltage	V_{OQ}	$V_{DD} = 5\text{V}$, $R_L \geq 10\text{k}\Omega$		2.5		V

CTS-CS-PAX-12-0500

Parameter	Symbol	Condition	Min.	Typ.	Max.	Unit
Primary Current Range	I_P	-	-500		500	A
Sensitivity	S	$V_{DD} = 5\text{V}$		4.00		mV/A
Output Quiescent Voltage	V_{OQ}	$V_{DD} = 5\text{V}$, $R_L \geq 10\text{k}\Omega$		2.5		V

CTS-CS-PAX-12-0750

Parameter	Symbol	Condition	Min.	Typ.	Max.	Unit
Primary Current Range	I_P	-	-750		750	A
Sensitivity	S	$V_{DD} = 5\text{V}$		2.67		mV/A
Output Quiescent Voltage	V_{OQ}	$V_{DD} = 5\text{V}$, $R_L \geq 10\text{k}\Omega$		2.5		V

CTS-CS-PAX-12-1000

Parameter	Symbol	Condition	Min.	Typ.	Max.	Unit
Primary Current Range	I_P	-	-1000		1000	A
Sensitivity	S	$V_{DD} = 5\text{V}$		2.00		mV/A
Output Quiescent Voltage	V_{OQ}	$V_{DD} = 5\text{V}$, $R_L \geq 10\text{k}\Omega$		2.5		V



Accuracy Specifications

Operating Parameters $T_A = -40$ to 125°C , $V_{DD} = 5\text{V} \pm 10\%$, unless otherwise specified.

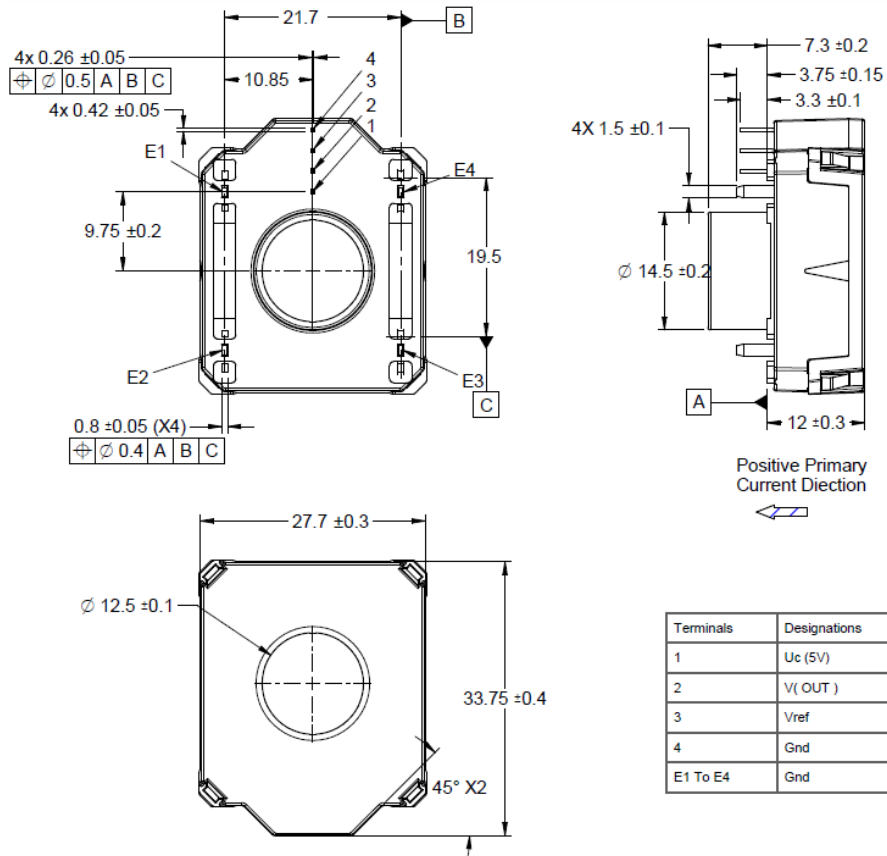
Parameter	Symbol	Condition	Min.	Typ.	Max.	Unit
Sensitivity Resolution	S_Δ	$T_A = 25^\circ\text{C}$, $V_{DD} = 5\text{V}$	-0.5	-	0.5	%S
Thermal Sensitivity Drift	$\Delta^T S$	$V_{DD} = 5\text{V}$	-1	-	1	%S
Sensitivity Ratiometry Drift	$\Delta^R S$	$V_{DD} = 5\text{V}$	-0.5	-	0.5	%S
Offset Resolution	$V_{OQ\Delta}$	$T_A = 25^\circ\text{C}$, $V_{DD} = 5\text{V}$	-2.5	-	2.5	mV
Thermal Offset Drift (total)	$\Delta^T V_{OQ}$	$V_{DD} = 5\text{V}$	-5	-	5	mV
Offset Ratiometry Drift	$\Delta^R V_{OQ}$	$V_{DD} = 5\text{V}$	-0.4	-	0.4	% V_{OQ}
RMS Output Noise	N_{RMS}	$V_{DD} = 5\text{V}$	-	10	-	mV _{RMS}
Magnetic Offset Drift (hyst.)	$\Delta^T M$	$T_A = 25^\circ\text{C}$, $V_{DD} = 5\text{V}$, $\pm I_P$	-2	-	2	mV
Linearity Error	N_L	Full Range of I_P	-1	-	1	% I_P
Step Response Time	T_R	@ $100 \text{ A}/\mu\text{s}$	-	2	4	μs
Frequency Bandwidth	BW	@ -3 dB (output)	30	-	-	kHz
Phase shift	Δ_ϕ	@ DC to 1 kHz	3	-	-	$^\circ$



Dimensions

All the dimensions are expressed in [mm], unless otherwise specified.

NOTE: Dimensions are preliminary





Disclaimer

The content of this document is believed to be correct and accurate but is being provided and furnished "AS IS" and should be understood that this document is for informational purposes only and that there are NO Representations and/or Warranties provided by CTS Corporation (CTS) as to the document's accuracy, nor about the results of its implementation. CTS assumes no responsibility or liability for any errors or inaccuracies that may appear in this document. Any Customer that relies upon or uses this document shall assume all risk and responsibility for any such use. This documentation is in fact provided without warranty, term, or condition of any kind, either implied or expressed, including but not limited to warranties of merchantability, satisfactory quality, non-infringement, and fitness for purpose. CTS, its employees and agents and its affiliates' and their employees and agents will not be responsible for any loss, however arising, from the use of, or reliance on this document. Notwithstanding the foregoing, contractual obligations expressly undertaken in writing by CTS prevail over this disclaimer. This document is subject to change without notice and should not be construed as a commitment by CTS. Therefore, before placing orders or prior to designing the product into a system, users or any third party should obtain the latest version of the relevant information and engage CTS for consultation beforehand. Users or any third party must determine the suitability of the product described in this document for its application, including the level of reliability required and determine whether it is fit for a particular purpose. This document as well as the product here described may be subject to export control regulations. Be aware that export might require a prior authorization from competent authorities. The product is not designed, authorized, or warranted to be suitable in applications requiring extended temperature range and/or unusual environmental requirements. High reliability applications, such as medical life-support or life-sustaining equipment or avionics application are specifically excluded by CTS.